

Copyright 1940
Ferguson-Sherman Mfg. Corp.
Dearborn, Michigan
All rights reserved

FORD TRACTOR

with

Ferguson System

TRACTOR PARTS PRICE LIST

MARCH 15, 1940

Sold and Distributed by
FERGUSON-SHERMAN MANUFACTURING CORPORATION
DEARBORN, MICHIGAN

www.ntractorclub.com

FORD TRACTOR

with

Ferguson System

TRACTOR PARTS
PRICE LIST

CONTROL LEVER
RAM CYLINDER

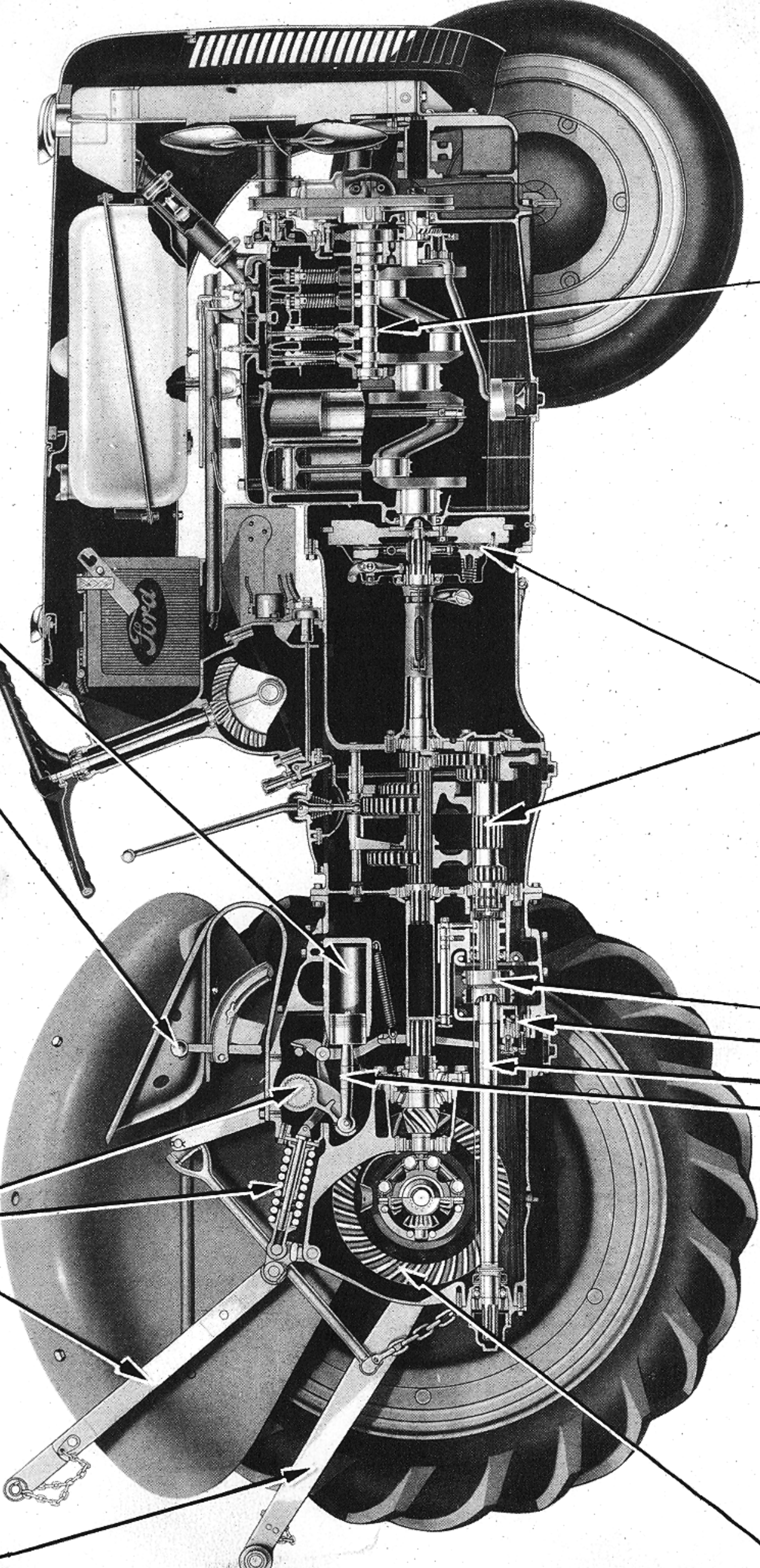
MASTER CONTROL SPRING
HYDRAULIC LIFT SHAFT

COMPRESSION LINK
TENSION LINKS

SEMI-CENTRIFUGAL CLUTCH
RUGGED TRANSMISSION
HEAVY DUTY ENGINE

HYDRAULIC PUMP
CONTROL VALVE

PISTON AND CONNECTING ROD
SPIRAL BEVEL GEAR DRIVE
POWER TAKE-OFF SHAFT



INDEX

	Page
ACCESSORIES	41
AIR CLEANER	33
AMMETER	36
AXLE - FRONT	14-17
AXLE - REAR	18-21
BATTERY	36
BRAKES	13-14
CARBURETOR	32-33
DISTRIBUTOR AND COIL	37-38
DRAWBAR AND DRAWBAR STAY	21
ENGINE	23-25
FENDERS	39
FUEL SYSTEM	31
GENERATOR	35-36
GOVERNOR	40
HEAD LAMP	41
HOOD	39
HYDRAULIC LIFT	5-9
HYDRAULIC PUMP	9
MANIFOLD	31-32
MUFFLER	21-23
OIL FILTER	40-41
POWER TAKE-OFF PULLEY (ATTACHMENT)	9-12
RADIATOR AND GRILLE	28-29
SEAT - DRIVERS	5
STANDARD PARTS	42-46
STARTER AND DRIVE	36-37
STEERING GEAR	17-18
SYMBOLS	47-48
THROTTLE CONTROLS	33
TOOL BOX AND TOOLS	40
TRANSMISSION	25-28
WATER PUMP	29-31
WHEELS AND WHEEL HUBS	12-13
WIRING	38

INSTRUCTIONS FOR ORDERING PARTS

1. Always give tractor number when requested in foot notes. The number is located on left side of motor block.
2. Always order by part number and name.
3. Part orders should be separate and not included with letters pertaining to other subjects.
4. Specify how shipments are to be made—Freight, Parcel Post, or Express.
5. Order parts through your local distributor.

Prices subject to change without notice
Copyright 1940

FORD TRACTOR PARTS PRICE LIST



Part No.	Price	Part Name	Unit	Remarks	Type	Year
SEAT DRIVERS						
(See Illustration on Page 20)						
9N-400-A	\$ 2.15	Seat Assy. - Drivers (Steel)	1	9N	39-40
9N-400-B		Seat Assy. - Drivers (Plastic)	1	9N	39-40
350617-S7	.03	Bolt (Carriage)-Seat to Seat Spring 7/16 - 20	1	9N	39-40
33792-S7-8	.02	Nut (Hex)-Seat Spring Bolt 7/16 - 20	1	9N	39-40
351436-S7-8	.01	Washer (Lock)-Seat to Seat Spring Bolt 7/16	1	9N	39-40
9N-404	2.10	Spring-Drivers Seat	1	9N	39-40
21441-S7-8	.02	Bolt (Hex Head)-Spring Drivers Seat 7/16 - 14 x 1.128	2	9N	39-40

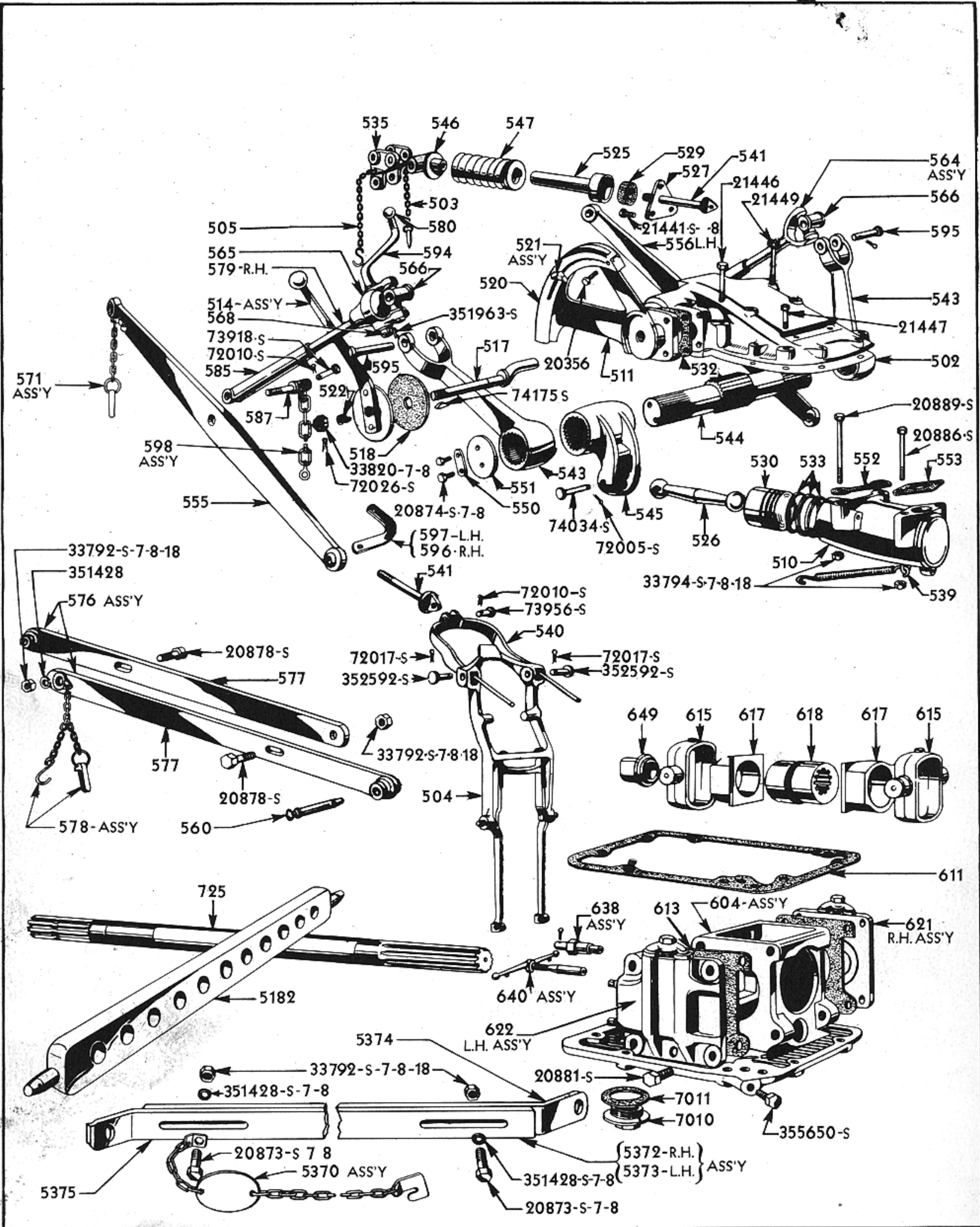
HYDRAULIC LIFT

9N-500	51.50	Hydraulic Lift Assy.	1	9N	39-40
9N-501	11.25	Cover - Hydraulic Lift	1	9N	39-40
21447-S7-8	.03	Bolt (Hex Head)-Hydraulic Lift Cover to Center Housing 7/16-14 x 1.5	7	9N	39-40
21446-S7-8	.03	Bolt (Hex Head)-Hydraulic Lift Cover 7/16-14 x 2.5	3	9N	39-40
21449-S	.03	Bolt (Hex Head)-Hydraulic Lift Cover 7/16-14 x 3.625	4	9N	39-40
9N-502	.12	Gasket - Hydraulic Lift Cover	1	9N	39-40
9N-503	.40	Lynch Pin and Chain Assy. - Upper Link (Front)	1	9N	39-40
9N-504	1.40	Fork Assy. (Hand Control)-Hydraulic Lift	1	9N	39-40
72017-S	.75-M .10-C	Pin (Cotter)-Hydraulic Lift Hand	2	9N	39-40
		Control Fork 1/8 x 3/4				
352592-S	.03-X .03	Pin (Clevis)-Hydraulic Lift Hand Control Fork 1-1/4 x 3/8	2	9N	39-40
9N-505	.15	Upper Link Pin Chain Assy. - Front ..	1	9N	39-40
9N-510	2.80	Cylinder - Hydraulic Lift	1	9N	39-40
20886-S	.03	Bolt (Hex Head)-Hydraulic Lift Cylinder to Cover 7/16-20 x 3.32	2	9N	39-40
20889-S	.05	Bolt (Hex Head)-Hydraulic Lift Cylinder to Cover 7/16-20 x 5.00	2	9N	39-40
33794-S7-8-18	.02	Nut (Hex)-Cylinder to Hydraulic Lift Cover 7/16-20	4	9N	39-40
9N-511	3.75	Quadrant Assy. - Hydraulic Lift Control	1	9N	39-40
21441-S7-8	.02	Bolt (Hex Head)-Hydraulic Lift Control Quadrant 7/16-14 x 1.128	4	9N	39-40
34808-S	.45-C .01	Washer (Lock)-Hydraulic Lift Control Quadrant Bolt 7/16	4	9N	39-40
9N-512	.65	Lever Assy. - Hydraulic Lift	1	9N	39-40
9N-514	1.35	Control Lever and Friction Plate Assy. - Hydraulic Lift	1	9N	39-40
9N-517	1.30	Shaft - Hydraulic Lift Control Lever	1	9N	39-40
33820-S7-8	.03	Nut (Castle Hex)-Control Lever Arm to Friction Plate 7/16-20	1	9N	39-40
72026-S	.75-M .10-C	Pin (Cotter)-Control Lever Arm to Friction Plate 1/8 x 7/8	1	9N	39-40
74175-S	.03-X .01	Key (Woodruff)-Hydraulic Lift Control Lever #6	1	9N	39-40
9N-518	.04	Disc (Friction)-Hydraulic Lift Control	1	9N	39-40

* Not subject to regular discount.



FORD TRACTOR PARTS PRICE LIST



* Not subject to regular discount.

FORD TRACTOR PARTS PRICE LIST



Part No.	Price	Part Name	Unit	Remarks	Type	Year
HYDRAULIC LIFT (CONT'D)						
9N-520	\$.30	Retainer - Hydraulic Lift Control Lever	1	9N	39-40
9N-521	.40	Stop Assy. - Hydraulic Lift Control Lever	1	9N	39-40
34745-S	.15-C	Washer (Stop) - Hydraulic Lift Control Lever 1/4"	1	9N	39-40
350923-S7-8	.03	Nut (Special Wing) - Hydraulic Lift Control Lever Stop	1	9N	39-40
9N-522	.05	Washer - Hydraulic Lift Control Spring	1	9N	39-40
9N-523-A X	.02	Gasket - Lower Link Support (Oval End)	2	9N	39-40
9N-523-B 1	.02	Gasket - Lower Link Support (Square End)	2	9N	39-40
9N-525	.25	Spring Seat - Hydraulic Lift	1	9N	39-40
9N-526	1.00	Connecting Rod - Hydraulic Lift ...	1	9N	39-40
74034-S	.03	Pin (Clevis) - Piston Rod 5/16 x 2-1/8	1	9N	39-40
72005-S	.35-M	Pin (Cotter) - Piston Rod to Arm Pin	1	9N	39-40
	.05-C					
	.02-X					
9N-527	.07	Plate - Hydraulic Lift Cover	1	9N	39-40
21441-S7-8	.02	Bolt (Hex Head) - Hydraulic Lift Cover Plate 7/16-14 x 1.128 ...	3	9N	39-40
9N-529	.01	Felt - Hydraulic Lift Spring Seat .	1	9N	39-40
9N-530	1.35	Piston - Hydraulic Lift	1	9N	39-40
9N-531	3.45	Bushing - Hydraulic Lift	2	9N	39-40
9N-532	.02	Gasket - Hydraulic Lift Control ...	1	9N	39-40
9N-533	.10	Ring - Hydraulic Lift Piston	3	9N	39-40
9N-535	1.85	Rocker - Hydraulic Lift	1	9N	39-40
352625-S7-8	.15	Pin (Clevis) - Hydraulic Lift	2	9N	39-40
9N-539	.05	Spring (Retracting) - Hydraulic Lift Fork	1	9N	39-40
9N-540	1.25	Fork - Hydraulic Lift Spring Control	1	9N	39-40
73956-S	.03	Pin (Clevis) - Plunger to Hydraulic Lift Spring Control Fork	1	9N	39-40
72010-S	.75-M	Pin (Cotter) - Plunger to Hydraulic Lift Spring Control Fork	1	9N	39-40
	.10-C					
	.03-X					
9N-541	.45	Plunger - Hydraulic Lift Spring Control	1	9N	39-40
9N-543	3.35	Arm - Hydraulic Lift	2	9N	39-40
9N-544	5.15	Shaft - Hydraulic Lift	1	9N	39-40
20874-S7-8	.03	Bolt (Hex Head) - Hydraulic Lift Shaft 7/16-20 x .68	4	9N	39-40
9N-545	2.50	Arm - Hydraulic Lift Ram	1	9N	39-40
9N-546	1.20	Yoke - Hydraulic Lift	1	9N	39-40
9N-547	2.40	Spring - Hydraulic Lift	1	9N	39-40
9N-550	.02	Washer (Lock) - Hydraulic Lift	2	9N	39-40
9N-551	.05	Washer - Hydraulic Lift	2	9N	39-40
9N-552	.01	Gasket - Hydraulic Lift	1	9N	39-40
9N-553	.01	Gasket - Hydraulic Lift	1	9N	39-40
9N-554	.25	Bearing Assy. - Hydraulic Lift Leveling Gear	1	9N	39-40
9N-555	8.00	Link - Lower Lift R.H.	1	9N	39-40
9N-556	8.00	Link - Lower Lift L.H.	1	9N	39-40
9N-560	.40	Pin - Hydraulic Lift	2	9N	39-40
9N-562-A X	.85	Plate - Lower Link Support (Oval End)	2	9N	39-40

* Not subject to regular discount.

X See remarks on page 47

FORD TRACTOR PARTS PRICE LIST

Part No.	Price	Part Name	Unit	Remarks	Type	Year
HYDRAULIC LIFT (CONT'D)						
9N-562-B ¹	\$.85	Plate - Lower Link Support (Square End)	2		9N	39-40
22267-S	.04	Bolt (Hex Head) - Lower Link Support to Axle Housing 7/16-20 x 1-3/4	2		9N	39-40
33817-S	.02	Nut (Slotted) - Lower Link Support to Rear Axle Housing 7/16-20 ..	2		9N	39-40
72009-S	{ .50-M .10-C .02-X	Pin (Cotter) - Lower Link Support to Rear Axle Housing 3/32 x 5/8	2		9N	39-40
9N-563	.45	Shaft - Lower Link	2		9N	39-40
33860-S	.05	Nut (Castle) - Lower Link Shaft 5/8 x 18	4		9N	39-40
72080-S	{ 1.50-M .20-C .05-X	Pin (Cotter) - Lower Link Shaft 1/8 x 1-5/8	4		9N	39-40
351505-S7-8-18	.01	Washer (Flat) - Lower Link Shaft 5/8	2		9N	39-40
9N-564	2.40	Leveling Rod Assy. - Hydraulic Lift L.H.	1		9N	39-40
9N-565	2.65	Leveling Box - Hydraulic Lift	1		9N	39-40
74127-S	.01	Plug (Expansion) - Hydraulic Lift Leveling Box Assy. 1-3/4	1		9N	39-40
353034-A1-S7-8	.09	Fitting (Lubrication) - Hydraulic Lift Leveling Box Assy. 1/4 - 28	2		9N	39-40
9N-566	2.10	Knuckle - Hydraulic Lift	2		9N	39-40
9N-567	.25	Oil Tube - Differential Housing ...	1		9N	39-40
9N-568	1.15	Gear - Leveling Lever	1		9N	39-40
9N-569	13.75	Leveling Box Assy. - Hydraulic Lift	1		9N	39-40
9N-571	.50	Clip and Chain Assy. - Lynch Pin Lower Link	2		9N	39-40
9N-576	4.50	Link Assy. - Upper	1		9N	39-40
20878-S7-8	.03	Bolt (Hex Head) - Upper Link Assy. 7/16-20 x 1.25	2		9N	39-40
351428-S7-8	.01	Washer (Plain) - Upper Link Assy. 7/16	2		9N	39-40
33792-S7-8	.02	Nut (Hex) - Hydraulic Lift Upper Link Bolt 7/16-20	2		9N	39-40
9N-577	1.95	Link - Upper	2		9N	39-40
9N-578	.95	Anchor Chain Assy.	1		9N	39-40
9N-579	4.30	Shaft - Leveling Gear - R.H.	1		9N	39-40
9N-580	.25	Ball - Lever	3		9N	39-40
9N-585	1.55	Fork - Lift Rod R.H.	1		9N	39-40
353043-A2-S7-8	.03	Fitting (Lubrication) - Hydraulic Lift Leveling Box Assy. 1/4-28	1		9N	39-40
9N-587	.35	Bolt (Eye) - Check Chain	2		9N	39-40
33860-S	.05	Nut (Castle) - Check Chain Bolt 5/8 - 18	2		9N	39-40
72035-S	{ .75-M .10-C .03-X	Pin (Cotter) - Check Chain Eye Bolt 1/8 x 1"	2		9N	39-40
9N-594	1.25	Lever (Leveling) - Hydraulic Lift	1		9N	39-40
351963-S	.01	Rivet (Special Oval C'Sunk Head) - Leveling Lever to Leveling Lever Gear 3/16 x .94	1		9N	39-40
9N-595	.08	Pin (Leveling) - Hydraulic Lift Fork	4		9N	39-40
72035-S	{ .75-M .10-C .03-X	Pin (Cotter) - Leveling Pin 1/8 x 1"	4		9N	39-40

* Not subject to regular discount.

¹See Remarks on page 47

FORD TRACTOR PARTS PRICE LIST



Part No.	Price	Part Name	Unit	Remarks	Type	Year
HYDRAULIC LIFT (CONT'D)						
9N-596	\$.15	Anchor - Lower Link Check Chain R.H.	1	9N	39-40
9N-597	.15	Anchor - Lower Link Check Chain L.H.	1	9N	39-40
21442-S7-8	.03	Bolt (Hex Head) - Lower Link Check Chain 7/16-14 x 1.374	4	9N	39-40
9N-598	1.10	Chain - Lower Link Anchor	2	9N	39-40
73918-S	1.35-C	Pin (Clevis) - Lower Link Anchor				
	.02	Chain 5/16 x 1-1/8	4	9N	39-40
	.75-M	Pin (Cotter) - Lower Link Anchor				
72010-S	.10-C	Chain 1/8 x 5/8	4	9N	39-40
	.03-X					
9N-599	9.85	Quadrant and Lever Assy. - Hydraulic Lift	1	9N	39-40

HYDRAULIC PUMP (See Illustration on Page 6)

9N-600	38.75	Hydraulic Pump	1	9N	39-40
9N-604	11.50	Base Assy. - Hydraulic Pump	1	9N	39-40
21447-S7-8	.03	Bolt (Hex Head) - Hydraulic Pump Base to Center Housing 7/16-14 x 1.5	9	9N	39-40
351428-S7-8	.01	Washer (Special Plain) - Hydraulic Pump Base 7/16	9	9N	39-40
9N-611	.07	Gasket - Hydraulic Pump (Bottom) ...	1	9N	39-40
9N-613	.03	Gasket - Hydraulic Pump	2	9N	39-40
9N-615	1.90	Piston - Hydraulic Pump	2	9N	39-40
9N-617	.75	Cam Block - Hydraulic Pump	2	9N	39-40
9N-618	2.45	Cam - Hydraulic Pump	1	9N	39-40
9N-621	7.50	Valve Chamber Assy R.H. - Hydraulic Pump	1	9N	39-40
9N-622	7.50	Valve Chamber Assy. L.H. - Hydraulic Pump	1	9N	39-40
20881-S	.03	Bolt (Hex Head) - Hydraulic Pump Valve Chamber 7/16-20 x 1.56 ...	8	9N	39-40
9N-636	.18	Plug - Hydraulic Pump	4	9N	39-40
9N-638	.65	Safety Valve Assy. - Hydraulic Pump.	1	9N	39-40
9N-640	1.05	Control Valve Assy. - Hydraulic Pump	1	9N	39-40
9N-649	.60	Bushing - Hydraulic Pump	1	9N	39-40

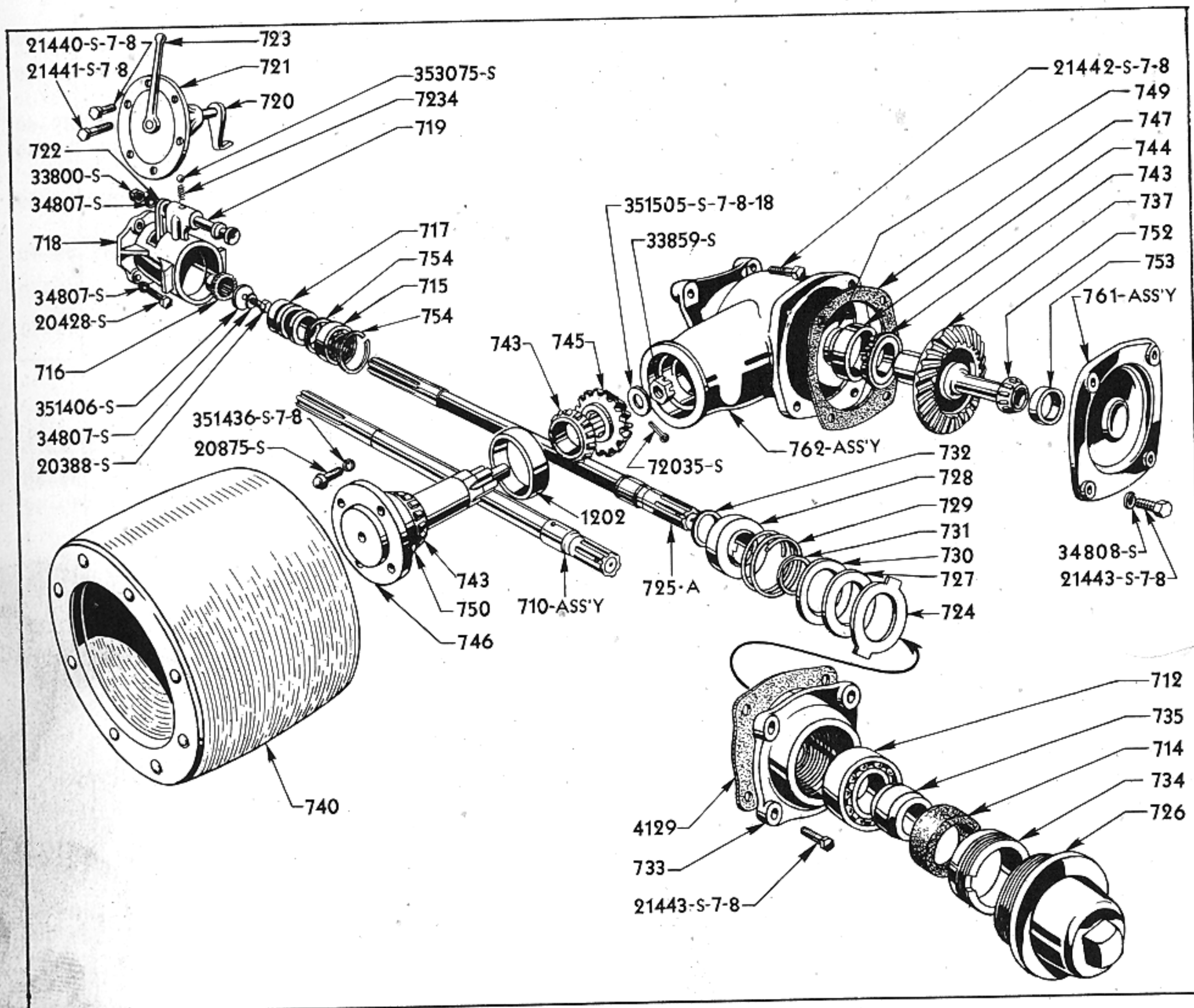
POWER TAKE-OFF PULLEY ATTACHMENT

9N-700-A	15.00	Power Take-Off Pulley Attachment Assy.	1	Before Tractor No. 7453	9N	39-40
9N-700-B	15.00	Power Take-Off Pulley Attachment Assy.	1	After Tractor No. 7452	9N	39-40
9N-710	8.35	Shaft and Sleeve Assy. - Power Take-Off	1	After Tractor No. 7452	9N	39-40
9N-712	2.20	Bearing Assy. (Rear) - Power Take-Off	1	9N	39-40
9N-714	.06	Washer - Power Take-Off	1	9N	39-40
9N-715	2.10	Bearing Assy. - Power Take-Off	1	9N	39-40
9N-716	.80	Hub - Power Take-Off Clutch	1	9N	39-40
351406-S	.70-C	Washer (Special) - Power Take-Off 13/32 I.D. x 1.50 O.D.	1	9N	39-40
	.01					

*. Not subject to regular discount.

FORD TRACTOR PARTS PRICE LIST

Part No.	Price	Part Name	Unit	Remarks	Type	Year
----------	-------	-----------	------	---------	------	------



POWER TAKE-OFF PULLEY ATTACHMENT (CONT'D)

Part No.	Price	Part Name	Unit	Remarks	Type	Year
20388-S	\$.02	Bolt (Hex Head) - Power Take-Off Clutch Hub 3/8 - 16 x 1	1		9N	39-40
34807-S	.20-C	Washer (Lock) - Power Take-Off Clutch Hub Bolt 3/8	1		9N	39-40
9N-717	.01	Clutch Hub Bolt 3/8	1		9N	39-40
9N-718	2.40	Sleeve - Power Take-Off Clutch Support	1			
20428-S	2.55	Support - Power Take-Off Shaft Bearing	1		9N	39-40
34807-S	.02	Bolt (Hex Head) - Power Take-Off Shaft Bearing Support 3/8 - 16 x 1-1/4	4		9N	39-40
34807-S	.20-C	Washer (Lock) - Power Take-Off Shift Stop 3/8	4		9N	39-40
9N-719	.01	Shift Stop 3/8	4		9N	39-40
79-7234	1.45	Rail - Power Take-Off Shifter	1		9N	39-40
353075-S	.02	Spring - Power Take-Off Shifter	1		9N	39-40
33800-S	.01	Ball (Steel) - Power Take-Off Clutch Shaft 3/8 Dia.	1		9N	39-40
	.01	Nut (Hex) - Power Take-Off Shift Rail 3/8 - 24	1		9N	39-40

* Not subject to regular discount.

FORD TRACTOR PARTS PRICE LIST



Part No.	Price	Part Name	Unit	Remarks	Type	Year
POWER TAKE-OFF PULLEY ATTACHMENT (CONT'D)						
34807-S	.20-C	Washer (Lock)-Power Take-Off Shift				
	.01	Rail 3/8	1		9N	39-40
9N-720	.35	Fork - Power Take-Off Shift.....	1		9N	39-40
9N-721	1.80	Plate - Power Take-Off Shift	1		9N	39-40
21440-S7-8	.02	Bolt (Hex Head)-Shifter Plate Power				
		Take-Off 7/16 - 14 x .75	2		9N	39-40
21441-S7-8	.02	Bolt (Hex Head)-Side Cover and Brake				
		Sector 7/16 - 14 x 1.128	4		9N	39-40
9N-722	.30	Stop-- Power Take-Off Shift	1		9N	39-40
33800-S	.01	Nut (Hex)-Power Take-Off Shift Stop				
		3/8 - 24	1		9N	39-40
34807-S	.20-C	Washer (Lock)-Power Take-Off Shift				
	.01	Stop 3/8	1		9N	39-40
9N-723	.40	Lever - Power Take-Off Shift	1		9N	39-40
9N-724	.85	Washer - Power Take-Off	1		9N	39-40
9N-725-A	7.00	Shaft - Power Take-Off	1	Before Tractor		
				No. 7453.....	9N	39-40
9N-726	.75	Cap - Power Take-Off	1		9N	39-40
9N-727	.35	Seal - Power Take-Off	1		9N	39-40
9N-728-A	.30	Case - Power Take-Off Seal	1	Before Tractor		
				No. 7453.....	9N	39-40
9N-728-B	.30	Case - Power Take-Off Seal	1	After Tractor		
				No. 7452.....	9N	39-40
9N-729	.03	Spring - Power Take-Off	1		9N	39-40
9N-730	.06	Guide - Power Take-Off Spring.....	1		9N	39-40
9N-731	.06	Ring - Power Take-Off Clamp	1		9N	39-40
9N-732	.02	Ring (Snap)-Power Take-Off	1		9N	39-40
9N-733	1.40	Cover - Power Take-Off	1		9N	39-40
21443-S7-8	.02	Bolt (Hex Head)-Power Take-Off				
		Housing Cover 7/16 - 14 x .94 ..	4		9N	39-40
9N-734	.40	Retainer - Power Take-Off	1		9N	39-40
9N-735	.25	Sleeve - Power Take-Off	1		9N	39-40
9N-737	10.25	Gear Assy. - Power Take-Off Driver .	1		9N	39-40
9N-740	4.00	Pulley - Power Take-Off	1		9N	39-40
20875-S	.02	Bolt (Hex Head)-Pulley To Power Take-				
		Off Drive Shaft 7/16 - 20 x 1.00	4		9N	39-40
351436-S7-8	.01	Washer (Lock)-Power Take-Off Pulley				
		7/16	4		9N	39-40
9N-743	1.05	Cone - Power Take-Off Gear Bearing .	3		9N	39-40
01Y-1202	.45	Cup - Power Take-Off Gear Bearing ..	3		9N	39-40
9N-745	4.35	Gear - Power Take-Off Driven	1		9N	39-40
351505-S7-8-18	.01	Washer (Flat)-Power Take-Off Pulley				
		Driver Gear 5/8	1		9N	39-40
33859-S	.06	Nut (Castle)-Power Take-Off Driving				
		Gear 5/8-18	1		9N	39-40
72035-S	.75-M	Pin (Cotter)-Power Take-Off Driving				
	.10-C	Gear 1/8 x 1"	1		9N	39-40
	.03-X					
9N-746	1.00	Shaft - Power Take-Off Pulley	1		9N	39-40
9N-747	.05	Gasket - Power Take-Off Cover	1		9N	39-40
9N-749	.70	Seal - Power Take-Off Gear Bearing				
		Oil	1		9N	39-40
9N-750	.75	Seal - Power Take-Off Pulley Bearing				
		Oil	1		9N	39-40
9N-752	.65	Cone and Roller Assy.-Power Take-Off				
		Gear Pilot Bearing	1		9N	39-40
9N-753	.30	Cup - Power Take-Off Gear Pilot				
		Bearing	1		9N	39-40
9N-754	.05	Ring (Snap)-Power Take-Off Bearing .	2		9N	39-40

* Not subject to regular discount.

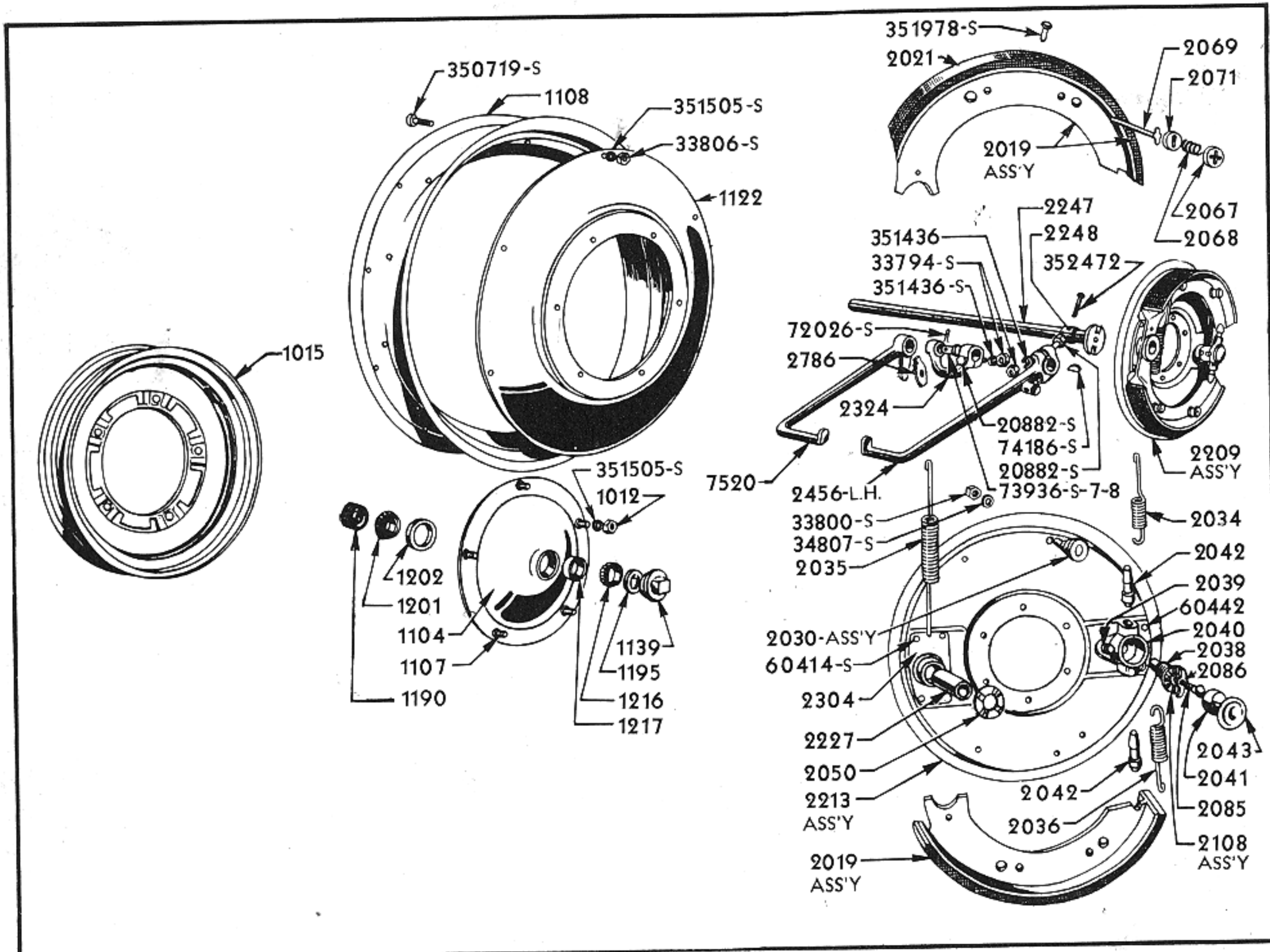


FORD TRACTOR PARTS PRICE LIST

Part No.	Price	Part Name	Unit	Remarks	Type	Year
POWER TAKE-OFF PULLEY ATTACHMENT (CONT'D)						
9N-760	*29.00	Power Take-Off and Pulley Assy.	1	9N	39-40
9N-761	3.20	Cover and Cup Assy.-Power Take-Off ..	1	9N	39-40
21443-S7-8	.02	Bolt (Hex Head)-Power Take-Off Housing Cover 7/16 - 14 x .94 ..	4	9N	39-40
34808-S	.45-C	Washer (Lock)-Power Take-Off Housing Cover Bolt 7/16	4	9N	39-40
9N-762	11.00	Housing and Cups Assy.-Power Take-Off	1	9N	39-40
353064-S	.03	Plug (Pipe)-Drain Plug 1/2"	1	9N	39-40

WHEELS AND WHEEL HUBS

9N-1012	.08	Nut - Wheel Bolt (Front and Rear) ..	10	9N	39-40
9N-1015	4.25	Wheel Assy. - Front	2	9N	39-40
9N-1104	6.60	Hub Assy. - Front Wheel	2	9N	39-40
78-1107	.04	Bolt - Wheel Hub (Front Wheels Only) Press Fit	10	9N	39-40
9N-1108-C	8.75	Rim and Band Assy. - Rear 8 x 32 ...	2	9N	39-40
9N-1108-D	**10.25	Rim and Band Assy. - Rear 10 x 28 ..	2	Optional Equipment	9N	39-40
350719-S7-8	.05	Bolt (Round Head)-Rim to Disc 5/8 - 18	12	9N	39-40



* Not subject to regular discount.

** See Bulletin for discount

FORD TRACTOR PARTS PRICE LIST



Part No.	Price	Part Name	Unit	Remarks	Type	Year
WHEELS AND WHEEL HUBS (CONT'D)						
33806-S7-8-18	\$.05	Nut (Hex)-Clamp to Disc Wheel 5/8 ..	12	9N	39-40
351505-S7-8-18	.01	Washer (Flat)-Rear Disc Wheel to Hub 5/8	12	9N	39-40
9N-1117	.10	Bolt - Rear Wheel Disc to Brake Drum	12	9N	39-40
9N-1122-D	7.50	Disc - Wheel Rear 32 x 8.00	2	9N	39-40
9N-1122-E	7.85	Disc - Rear Wheel 10 x 28	2	Optional Equipment	9N	39-40
33806-S7-8-18	.05	Nut (Hex)-Rear Axle to Rear Wheel 5/8	12	9N	39-40
351505-S7-8-18	.01	Washer (Flat)-Rear Axle to Rear Wheel Bolt 5/8	12	9N	39-40
9N-1126	3.55	Brake Drum	2	9N	39-40
9N-1139	.75	Cap - Front Hub	2	9N	39-40
9N-1190	.10	Cap - Front Hub Dust	2	9N	39-40
9N-1195	.03	Washer - Front Hub Bearing Retainer.	2	9N	39-40
B-1201	1.00	Cone and Roller Assy. - Front Wheel Inner Bearing	2	9N	39-40
B-1202	.40	Cup - Front Wheel Inner Bearing	2	9N	39-40
B-1216	.65	Cone and Roller Assy. - Front Wheel Outer Bearing	2	9N	39-40
B-1217	.30	Cup - Front Wheel Outer Bearing	2	9N	39-40

BRAKES

(See Illustrations on Pages 12-20)

9N-2019	3.20	Brake Shoe and Lining Assy.	4	9N	39-40
92Y-2021-B	1.00	Lining - Brake Shoe	4	9N	39-40
351978-S	.01	Rivet - Brake Lining to Brake Shoe .	60	9N	39-40
9N-2030	.20	Equalizer Assy. - Brake	2	9N	39-40
33800-S7-8	.01	Nut (Hex)-Brake Eccentric 3/8 - 24 .	2	9N	39-40
34807-S	.20-C	Washer (Lock)-Brake Equalizer Eccentric 3/8	2	9N	39-40
9N-2034	.05	Spring (Return)-Brake Shoe	2	9N	39-40
9N-2035	.10	Spring (Return)-Brake Shoe - Long ..	2	9N	39-40
9N-2036	.05	Spring (Return)-Brake Shoe Adjusting Side Lower	2	9N	39-40
81T-2038	.20	Stem (Adjusting)-Brakes	2	9N	39-40
9N-2039	.04	Stud - Brake Shoe Retracting Spring Adjusting Side	2	9N	39-40
9N-2040	.75	Bracket (Adjusting)-Brake	2	9N	39-40
60442-S	.30-C	Rivet (Round Head)-Brake Adjusting Bracket to Brake Plate	6	9N	39-40
9N-2041	.35	Wedge - Adjusting	2	9N	39-40
81T-2042	.25	Link - Brake Shoe	4	9N	39-40
9N-2043	.02	Cap - Brake Adjusting Bracket	2	9N	39-40
9N-2050	.80	Wedge (Operating)-Brake	2	9N	39-40
78-2067-C	.01	Cap - Brake Shoe Hold Down Spring ..	4	9N	39-40
78-2068-C	.01	Spring (Hold Down)-Brake Shoe	4	9N	39-40
9N-2069	.01	Pin (Hold Down)-Brake Shoe	8	9N	39-40
78-2071	.01	Nut - Brake Shoe Hold Down Spring Centralizer	4	9N	39-40
78-2085-A	.01	Pin - Brake Adjusting Stem Spring ..	2	9N	39-40
78-2086	.01	Spring (Index)-Brake Adjusting Stem.	2	9N	39-40
81T-2108	.25	Spring Assy. - Adjusting Stem	2	9N	39-40
9N-2209	12.50	Brake Assy. - R.H.	1	9N	39-40
9N-2210	12.50	Brake Assy. - L.H.	1	9N	39-40
9N-2213	4.10	Brake Carrier Plate and Brackets Assy. Right or Left	1	9N	39-40
9N-2227	.12	Bushing - Graphite	2	9N	39-40

* Not subject to regular discount.

FORD TRACTOR PARTS PRICE LIST

Part No.	Price	Part Name	Unit	Remarks	Type	Year
BRAKES (CONT'D)						
9N-2247	\$ 3.95	Shaft - Brake	2	9N	39-40
9N-2248	.20	Collar - Brake Shaft	2	9N	39-40
352472-S7-8	.01	Pin - Brake Shaft Collar .120/.130..	2	9N	39-40
9N-2304	.75	Braket - Brake Camshaft	2	9N	39-40
60414-S	.25-C	Rivet (Rount Head)-Brake Camshaft				
	.01	Braket 1/4 x 3/4	8	9N	39-40
9N-2324	1.90	Arm - Brake Pawl	1	9N	39-40
20882-S7-8	.04	Bolt (Hex Head)-Brake Pedals 7/16 -				
		20 x 2.25	1	9N	39-40
33794-S7-8-18	.02	Nut (Hex)-Brake Pedal Bolt 7/16 - 20	1	9N	39-40
351436-S7-8	.01	Washer (Lock)-Brake Pedal to Brake				
		Shaft 7/16	1	9N	39-40
9N-2455	3.25	Pedal - Brake R.H.	1	9N	39-40
9N-2456	3.25	Pedal - Brake L.H.	1	9N	39-40
74186-S	.04	Key (Woodruff)-Brake Pedal 1/4 x				
		1-1/8	2	9N	39-40
20882-S7-8	.04	Bolt (Hex Head)-Brake Pedal 7/16 -				
		20 x 2.25	4	9N	39-40
33794-S7-8-18	.02	Nut (Hex)-Brake Pedal Bolt 7/16 - 20	4	9N	39-40
351436-S7-8	.01	Washer (Lock)-Brake Pedal 7/16	4	9N	39-40
78-2477	.07	Bushing - Brake Cross Shaft	1	9N	39-40
9N-2786	.35	Pawl - Brake	2	9N	39-40
73936-S7-8	.05	Pin (Clevis)-Brake Pawl L.H. 1/2 -				
		1-1/4	1	9N	39-40
74079-S7-8	.06	Pin (Clevis)-Brake Pawl R.H. 1/2 -				
		2-5/8	1	9N	39-40
72026-S	.75-M	Pin (Cotter)-Brake Pawl	2	9N	39-40
	.10-C					
	.03-X					
9N-2796	.60	Sector - Brake	2	9N	39-40

FRONT AXLE

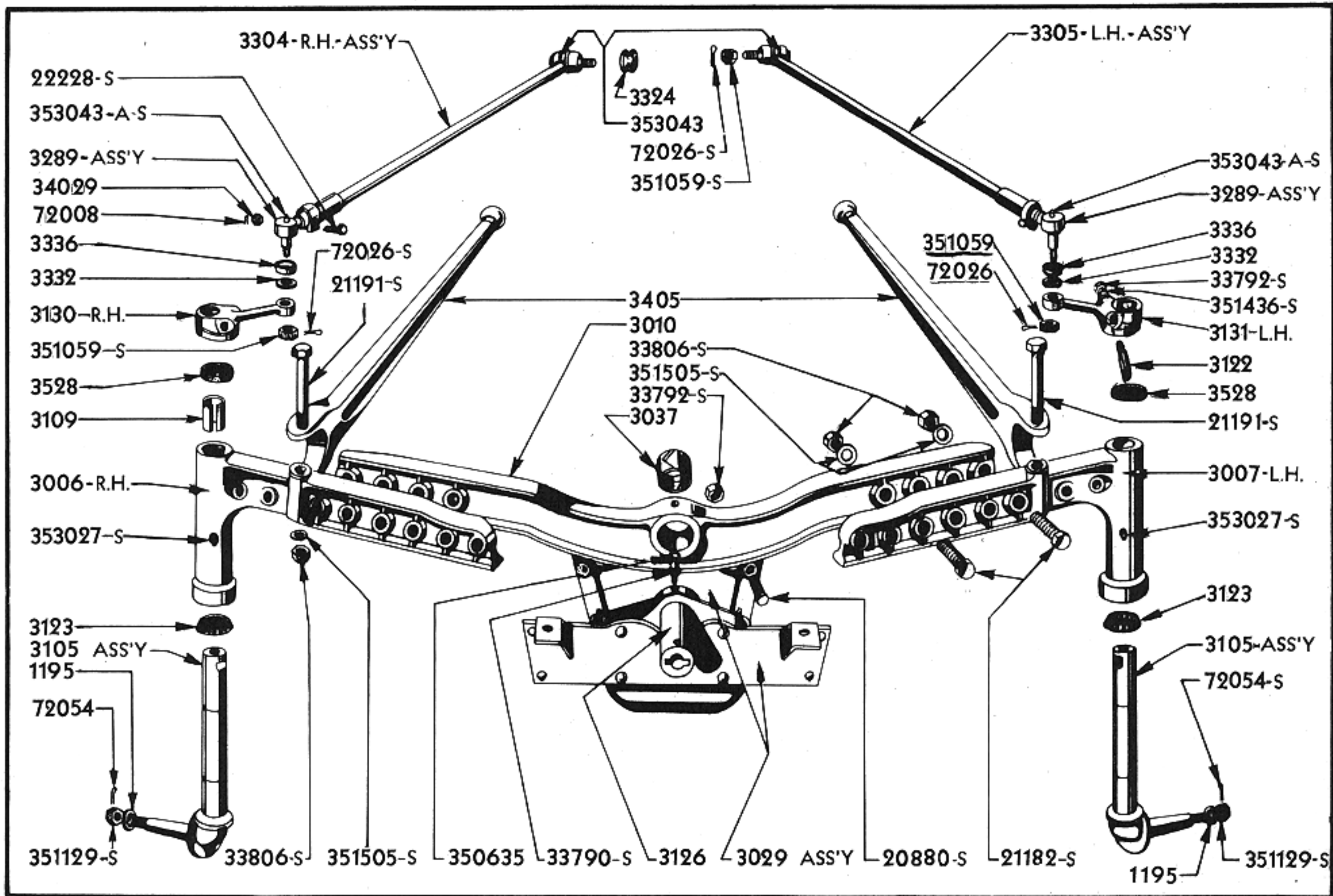
9N-3006	7.00	Axle - Front R.H. Half with Bushings	1	9N	39-40
9N-3007	7.00	Axle - Front L.H. Half with Bushings	1	9N	39-40
353027-A2-S7-8	.05	Fitting - Lubrication 1/8"	2	9N	39-40
9N-3010	5.75	Center - Front Axle	1	9N	39-40
9N-3029	9.35	Support Assy. - Front Axle	1	9N	39-40
9N-3037	.15	Bushing - Front Axle	1	9N	39-40
21182-S7-8	.20	Bolt (Hex Head) - Front Axle Center				
		to Half 5/8 - 18 x 2.875	4	9N	39-40
33806-S7-8-18	.05	Nut (Hex) - Front Axle Center to				
		Front Axle Half Bolt 5/8	4	9N	39-40
351505-S7	.01	Washer (Flat) - Front Axle Center to				
8-18		Front Axle Half Bolt 5/8	4	9N	39-40
20880-S7-8	.05	Bolt (Hex Head) - Front Axle Support				
		to Oil Pan 7/16 - 20 x 1.375 ...	6	9N	39-40
33792-S7-8	.02	Nut (Hex) - Front Axle Support. 7/16				
		- 20	6	9N	39-40
9N-3105	11.00	Spindle Assy. - Front Axle	2	9N	39-40
351129-S	.07	Nut (Castle) - Front Axle Spindle				
		Assy. 3/4-16	2	9N	39-40
72054-S	1.50-M	Pin (Coter) - Spindle Nut 5/32 x	2	9N	39-40
	.20-C					
	.05-X					
9N-3109	.20	Bushing - Spindle	4	9N	39-40
9N-3122	.15	Pin - Spindle Bolt Locking	2	9N	39-40

* Not subject to regular discount.

FORD TRACTOR PARTS PRICE LIST



Part No.	Price	Part Name	Unit	Remarks	Type	Year
----------	-------	-----------	------	---------	------	------

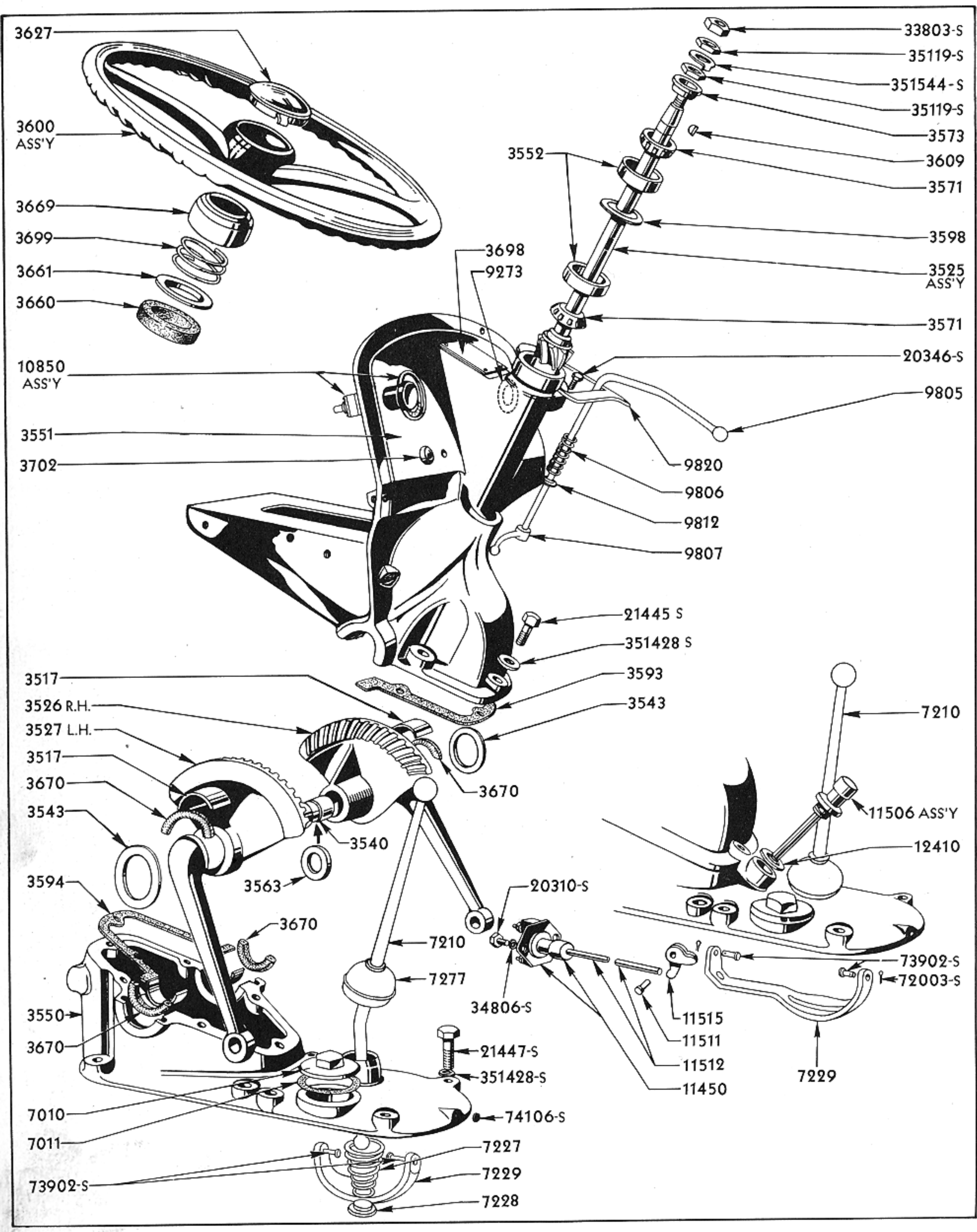


FRONT AXLE (CONT'D)

33792-S7-8-18	\$.02	Nut (Hex) - Front Axle Spindle Pin 7/16 - 20	2		9N	39-40
351436-S7-8	.01	Washer (Lock) - Front Axle Arm 7/16.	2		9N	39-40
9N-3123	.40	Bearing - Front Axle Spindle	2		9N	39-40
9N-3126	1.20	Pin - Front Axle	1		9N	39-40
350635-S7-8	.10	Bolt (Hex Head) - Front Axle Pin	1		9N	39-40
33790-S7-8	.02	Nut (Hex Head) - Axle to Axle Support 7/16 - 20	1		9N	39-40
9N-3130	2.85	Arm - Spindle R.H.	1		9N	39-40
9N-3131	2.85	Arm - Spindle L.H.	1		9N	39-40
78-3289	.95	Spindle Ball Joint Assy.	2		9N	39-40
351059-S7	.03	Nut (Castle) - Spindle Ball Joint Assy.	4		9N	39-40
72026-S	.75-M	Pin (Cotter) - Drag Link 1/8 x 7/8	4		9N	39-40
	.10-C					
	.03-X					
9N-3304	3.35	Link Assy. - Steering Drag R.H.	1		9N	39-40
9N-3305	3.35	Link Assy. - Steering Drag L.H.	1		9N	39-40
353043-A2 S7-8	.03	Fitting (Lubrication) - Steering Drag Link	4		9N	39-40
9N-3324	.25	Cover Assy. - Dust	2		9N	39-40
78-3332	.02	Cover - Spindle Connecting Rod Ball Stud Dust	2		9N	39-40
78-3336	.01	Retainer - Steering Drag Link and Tie Rod Grease	2		9N	39-40
22228-S	.04	Bolt - Steering Drag Link Clamp	2		9N	39-40

* Not subject to regular discount.

FORD TRACTOR PARTS PRICE LIST



FORD TRACTOR PARTS PRICE LIST



Part No.	Price	Part Name	Unit	Remarks	Type	Year
FRONT AXLE (CONT'D)						
34029-S	\$.02	Nut (Hex) - Steering Drag Link Clamp 5/16-24	2	9N	39-40
72008-S	{ .50-M .10-C .02-X	Pin (Cotter) - Steering Drag Link	2	9N	39-40
		Clamp 1/16 x 5/8	2	9N	39-40
		Rod - Front Radius	2	9N	39-40
9N-3405	3.85	Rod - Front Radius	2	9N	39-40
21191-S7-8	.20	Bolt (Hex Head) - Front Axle to Radius Rod 5/8 - 18 x 5.312	2	9N	39-40
33806-S7-8-18	.05	Nut (Hex) - Front Axle to Radius Rod Bolt 5/8	2	9N	39-40
351505-S7- 8-18	.01	Washer (Flat) - Front Axle to Radius Rod Bolt 5/8	2	9N	39-40
9N-3440	.55	Cap - Radius Rod Ball	2	9N	39-40
88523-S	.04	Stud (Screw) - Radius Rod Ball Cap 7/16	4	9N	39-40
33792-S7-8	.02	Nut (Hex) - Radius Rod Ball Spacer Cap 7/16 - 20	4	9N	39-40
351436-S7-8	.01	Washer (Lock)-Radius Rod Ball Cap Stud 7/16	4	9N	39-40
9N-3442	1.15	Spacer - Radius Rod Ball	2	9N	39-40
88398-S	.04	Stud (Screw)-Radius Rod Ball Spacer 7/16	2	9N	39-40
33792-S7-8	.02	Nut (Hex)-Radius Rod Spacer 7/16 - 20	2	9N	39-40
351436-S7-8	.01	Washer (Lock)-Radius Rod Ball Spacer 7/16	2	9N	39-40

STEERING GEAR

9N-3501-A ■	*43.50	Steering Gear Assy. Less Instruments and Throttle Control	1	9N	39-40
9N-3501-B ▲	*46.75	Steering Gear Assy. Less Instruments and Throttle Control	1	9N	39-40
9N-3517	.30	Bearing - Steering Sector	4	9N	39-40
9N-3525	7.25	Shaft and Pinion - Steering Gear ...	1	9N	39-40
33803-S	.04	Nut (Hex Head)-Steering Wheel 5/8 - N.F. 3	1	9N	39-40
351119-S	.03	Nut (Hex)-Steering Shaft 13/16 - 28.	2	9N	39-40
351544-S	.03	Washer (Lock)-Steering Shaft .815 - .820	1	9N	39-40
9N-3526	9.25	Sector - Steering Gear R.H.	1	9N	39-40
9N-3527	9.25	Sector - Steering Gear L.H.	1	9N	39-40
9N-3528	.02	Seal - Steering Arm Dust	1	9N	39-40
9N-3540	.60	Shaft - Steering Sector	1	9N	39-40
9N-3543	.12	Washer - Steering Sector Outer Thrust	2	9N	39-40
9N-3550-A ■	*7.50	Housing - Steering Gear Lower	1	9N	39-40
9N-3550-B ▲	*7.50	Housing - Steering Gear Lower	1	9N	39-40
74106-S	.01	Plug (Expansion)-Steering Gear Housing 5/16	1	9N	39-40
21447-S7-8	.03	Bolt (Hex Head)-Lower Steering Housing to Transmission Housing 7/16 - 14 x 1.5	6	9N	39-40
351428-S7-8	.01	Washer (Plain)-Lower Steering Housing to Transmission Housing 7/16 - 1/8 x 29/32	6	9N	39-40
9N-3551-A ■	*14.00	Housing - Steering Gear Upper	1	9N	39-40
9N-3551-B ▲	*14.00	Housing - Steering Gear Upper	1	9N	39-40

* Not subject to regular discount.

■ ▲ See remarks on page 48

FORD TRACTOR PARTS PRICE LIST

Part No.	Price	Part Name	Unit	Remarks	Type	Year
STEERING GEAR (CONT'D)						
21445-S7-8	\$.03	Bolt (Hex Head)-Upper to Lower Steering Gear Housing 7/16 - 14 x 1.62	6	9N	39-40
351428-S7-8	.01	Washer (Plain)-Upper to Lower Steering Gear Housing 7/16 - 1/8 x 29/32	6	9N	39-40
B-3552	.25	Cup - Steering Gear Worm Bearing Lower	2	9N	39-40
9N-3563	.12	Washer - Steering Sector Inner Thrust	1	9N	39-40
68-3571-A	.25	Roller Assy. - Steering Gear	2	9N	39-40
9N-3573	.45	Cone - Steering Gear Bearing	2	9N	39-40
9N-3593-A ■	.01	Gasket - Steering Gear Housing-Rear.	1	9N	39-40
9N-3593-B ▲	.01	Gasket - Steering Gear Housing-Rear.	1	9N	39-40
9N-3594	.01	Gasket - Steering Gear Housing-Front	1	9N	39-40
9N-3598	.03	Retainer - Steering Column Oil	1	9N	39-40
9N-3600	3.85	Wheel Assy. - Steering	1	9N	39-40
B-3609	.02	Key - Woodruff	1	9N	39-40
9N-3627	.70	Cap - Steering Wheel Center	1	9N	39-40
9N-3660	.05	Seal - Steering Column Dust	1	9N	39-40
9N-3661	.15	Retainer - Steering Column Seal	1	9N	39-40
9N-3669	.12	Cap - Steering Column	1	9N	39-40
9N-3670	.05	Packing - Steering Sector	4	9N	39-40
9N-3685	.07	Key - Ignition Lock	2	9N	39-40
9N-3686-B1	.85	Lock Cylinder Assy. - Ignition	1	9N	39-40
26456-S7-8	.40-C	Screw (Round Head)-Ignition Lock Cylinder Assy. 6/32 - 1/4	2	9N	39-40
351118-S7-8	.05	Nut (Hex)-Ignition Lock Cylinder Assy. 13/16	1	9N	39-40
9N-3698	.05	Patent Plate - Ford	1	9N	39-40
92032-S19	.01	Screw (Round Head Drive)-Patent Plate to Steering Gear Housing No. 4 x 3/16	4	9N	39-40
9N-3699	.35	Spring - Steering Column Dust Seal	1	9N	39-40
9N-3701	.05	Lens - Ignition Indicator Lamp	1	9N	39-40
9N-3702	.70	Lamp Assy. - Ignition Indicator	1	9N	39-40

REAR AXLE

9N-4000	*155.00	Rear Axle Assy.	1	9N	39-40
9N-4005	*80.00	Axle Assy. - Rear-Less Hydraulic Mechanism, Pump, Axle Shafts, and Brakes	1	9N	39-40
9N-4012-B \$	*14.00	Housing - Rear Axle R.H.	1	9N	39-40
74121-S	.01	Plug (Expansion)-Rear Axle Housing 1-1/4	1	9N	39-40
9N-4013-B \$	*14.00	Housing - Rear Axle Shaft L.H.	1	9N	39-40
21444-S7-8	.03	Bolt (Hex Head)-Rear Axle Housing to Center Housing 7/16-14 x 1.562	21	9N	39-40
9N-4025	26.00	Housing - Center	1	9N	39-40
9N-4035	.18	Gasket - Rear Axle Differential Housing	2	9N	39-40
9N-4129	.03	Gasket - Differential Housing (Rear)	1	9N	39-40
9N-4130	.05	Gasket - Axle Housing (Outer)	2	9N	39-40
9N-4131	.05	Gasket - Differential Housing Side	2	9N	39-40
9N-4132	.45	Collar - Axle Shaft Bearing	2	9N	39-40
9N-4133	2.25	Retainer - Axle Shaft Bearing	2	9N	39-40
88113-S	.04	Stud (Screw)-Rear Axle Housing to Bearing Retainer 7/16	12	9N	39-40

* Not subject to regular discount.

■ ▲ \$ See remarks on pages 47-48

FORD TRACTOR PARTS PRICE LIST

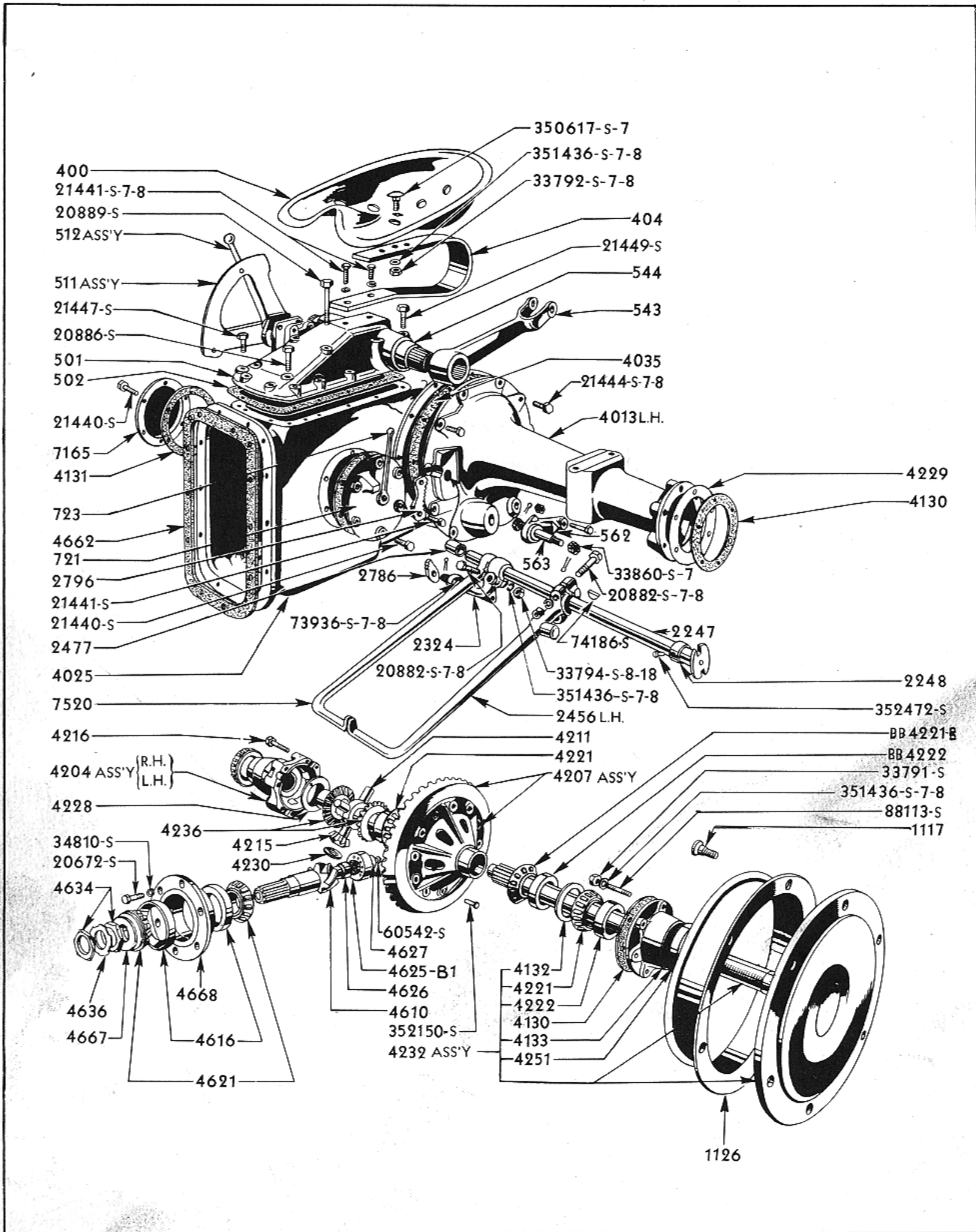


Part No.	Price	Part Name	Unit	Remarks	Type	Year
REAR AXLE (CONT'D)						
33791-S18	\$.02	Nut (Regular)-Rear Axle Shaft Bearing Retainer to Axle Shaft Housing 7/16-20	12	9N	39-40
351436-S7-8	.01	Washer (Lock)-Axle Bearing Retainer to Axle Shaft Housing 7/16	12	9N	39-40
9N-4150	.25	Trough Assy. - Differential Bearing Oil	1	9N	39-40
9N-4195	2.75	Spacer - Driving Gear Thrust Block .	1	9N	39-40
20388-S2	.02	Bolt (Hex Head)-Driving Gear Thrust Block Spacer to Rear Axle Center Housing 3/8-16 x 1"	2	9N	39-40
33800-S	.01	Nut (Hex)-Gear Thrust Block Spacer to Rear Axle Housing 3/8-24	2	9N	39-40
34807-S	.20-C .01	Washer (Lock)-Thrust Block to Axle Housing Bolt 3/8	2	9N	39-40
9N-4201	*29.50	Differential Assy. - Rear Axle	1	9N	39-40
9N-4203	*24.50	Gear and Pinion Assy. - Differential (Matched Sets)	1	9N	39-40
9N-4204	11.35	Case Assy. - Differential	1	9N	39-40
79-4210	14.25	Gear - Driving	1	9N	39-40
352150-S	.03	Rivet (Round Head)-Driving Gear to Differential Gear Case 7/16 - 1-1/2	12	9N	39-40
9N-4211	2.25	Spider - Differential	1	9N	39-40
91T-4215	.70	Pinion - Differential	1	9N	39-40
BB-4216-C	.15	Screw - Differential Gear Case	8	9N	39-40
9N-4221	2.35	Cone and Roller Assy. - Rear Wheel .	2	9N	39-40
BB-4221-B	2.50	Cone and Roller Assy. - Axle Shaft Inner Bearing	2	9N	39-40
9N-4222	1.15	Cup--Rear Wheel Bearing	2	9N	39-40
BB-4222	1.35	Cup - Axle Shaft Inner Bearing	2	9N	39-40
79-4228	.18	Washer - Differential Gear Thrust ..	2	9N	39-40
9N-4229-A	.04	Shim - Rear Axle Bearing .003 Thick.	2	9N	39-40
9N-4229-B	.04	Shim - Rear Axle Bearing .005 Thick.	2	9N	39-40
9N-4229-C	.04	Shim - Rear Axle Bearing .010 Thick.	2	9N	39-40
79-4230	.06	Washer (Thrust)-Differential Pinion.	4	9N	39-40
9N-4231	28.00	Axle Shaft and Brake Drum Assy. with Bearing, Retainer and Seal	1	9N	39-40
9N-4232	24.25	Axle Shaft with Bearing, Retainer, Seal and Studs	1	9N	39-40
91T-4236	2.35	Gear - Differential	2	9N	39-40
9N-4251	.60	Oil Seal - Rear Axle Bearing	2	9N	39-40
9N-4605	4.00	Drive Shaft Assy.	1	9N	39-40
79-4610	15.35	Pinion - Driving	1	9N	39-40
BB-4614-B	4.50	Sleeve, Pin and Bearing Cups Assy. - Driving Pinion Bearing	1	9N	39-40
BB-4615-B	3.75	Bearing Assy. - Driving Pinion	2	9N	39-40
BB-4616-B	1.35	Cup - Driving Pinion Bearing	2	9N	39-40
BB-4621-B	2.55	Cone and Roller Assy. - Driving Pinion Bearing	2	9N	39-40
BB-4625-B1	1.30	Bearing Assy. - Driving Pinion Pilot	1	9N	39-40
BB-4626-C	.50	Inner Race - Driving Pinion Pilot Bearing	1	9N	39-40
BB-4627	.03	Ring (Lock)-Driving Pinion Pilot Bearing	1	9N	39-40
60542-S	.45-C .01	Rivet (Round Head)-Driving Pinion Bearing Retainer 1/4 x 1-1/2 ...	2	9N	39-40
B-4634	.18	Nut (Lock)-Driving Pinion Bearing ..	2	9N	39-40
B-4636	.04	Washer (Lock)-Driving Pinion Bearing Nut	1	9N	39-40

* Not subject to regular discount.



FORD TRACTOR PARTS PRICE LIST



FORD TRACTOR PARTS PRICE LIST



Part No.	Price	Part Name	Unit	Remarks	Type	Year
REAR AXLE (CONT'D)						
9N-4662	\$.15	Gasket - Differential to Transmission Housing	1	9N	39-40
BB-4667	.30	Washer (Thrust)-Driving Pinion Bearing	1	9N	39-40
BB-4668-B	1.70	Sleeve - Driving Pinion Bearing	1	9N	39-40
20672-S	.04	Bolt (Hex Head)-Pinion Bearing Retainer to Housing 9/16-12 x 1-1/4	6	9N	39-40
34810-S	.01	Washer (Lock)-Pinion Bearing Retainer to Rear Axle Housing 9/16	6	9N	39-40

DRAWBAR

(See Illustration on Page 6)

9N-5182	5.90	Drawbar	1	9N	39-40
9N-5370	.75	Chain and Wedge Assy. - Drawbar	1	9N	39-40
9N-5372	1.45	Stay Assy. - Drawbar R.H.	1	9N	39-40
9N-5373	1.25	Stay Assy. - Drawbar L.H.	1	9N	39-40
9N-5374	.55	Stay - Drawbar Upper	1	9N	39-40
9N-5375	.45	Stay - Drawbar Lower	1	9N	39-40
20873-S7-8	.08	Bolt (Hex Head)-Drawbar Stay 7/16 - 20 x 1.06	4	9N	39-40
33792-S7-8-18	.02	Nut (Hex)-Drawbar Stay Bolt 7/16-20.	4	9N	39-40
351428-S7-8	.01	Washer (Special Plain)-Drawbar Stay 7/16	4	9N	39-40

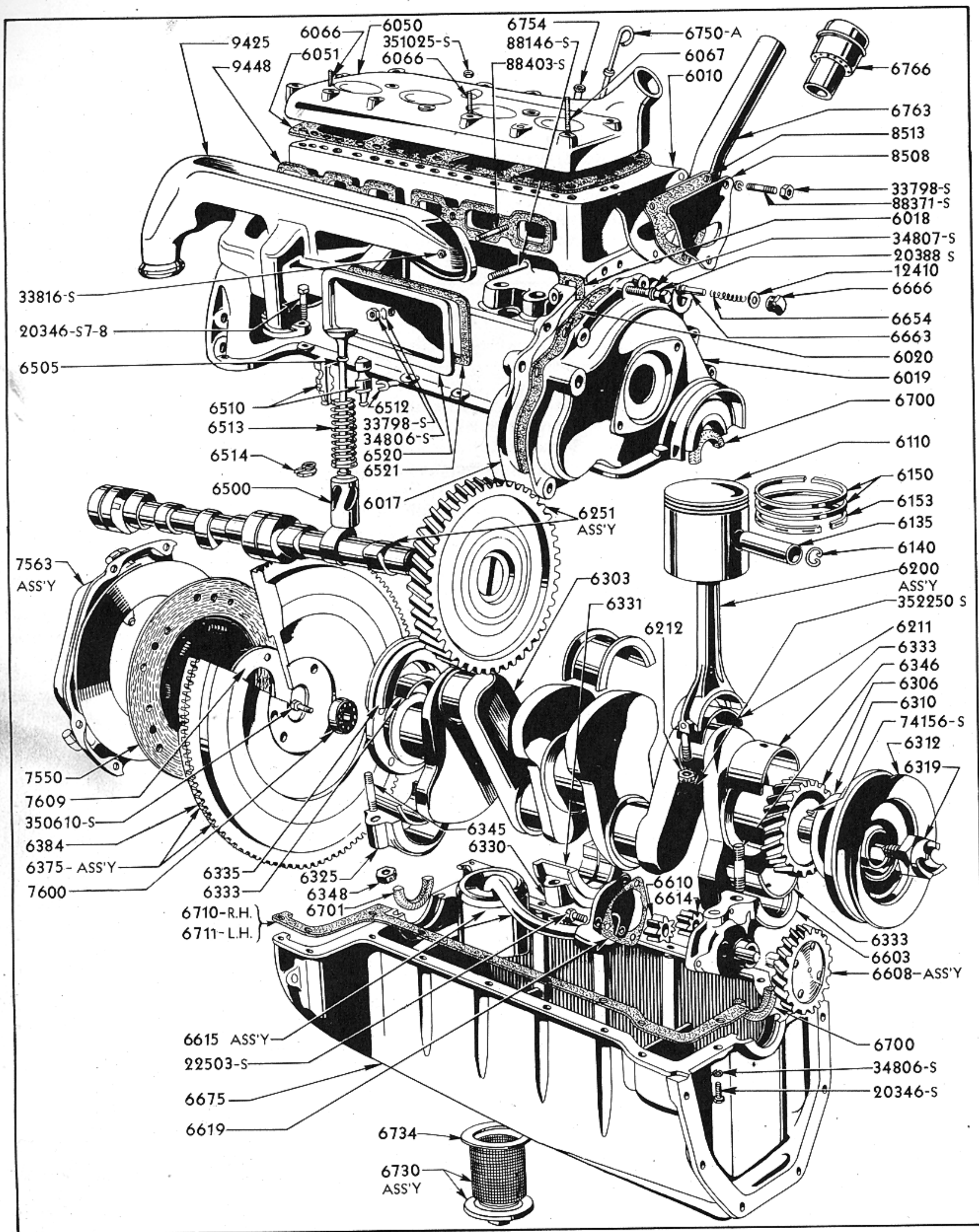
MUFFLER ASSEMBLY

9N-5230-A	2.40	Muffler Assy.	1	9N	39-40
9N-5251	.65	Clamp - Muffler Inlet Pipe	2	9N	39-40
21477-S7-8	.03	Bolt (Hex Head)-Exhaust Pipe Clamp 5/16-18 x 1-5/8	2	9N	39-40
33825-S7-8	.02	Nut (Hex)-Exhaust Pipe Clamp Bolt 5/16-18	2	9N	39-40
9N-5252	.35	Bracket and Clamp Assy. - Muffler ..	1	9N	39-40
20881-S	.03	Bolt (Hex Head)-Muffler Clamp to Transmission Housing 7/16-20 x 1.56	1	9N	39-40
33792-S7-8	.02	Nut((Hex)-Muffler Clamp to Transmission Housing 7/16-20	1	9N	39-40
351436-S7-8	.01	Washer (Lock)-Muffler Clamp to Transmission Housing 7/16	1	9N	39-40
20426-S7-8	.01	Bolt (Hex Head)-Muffler Clamp 5/16-18 x 1-1/4	1	9N	39-40
33797-S7-8	.01	Nut (Hex)-Muffler Clamp Bolt 5/16-18	1	9N	39-40
34806-S	.10-C .01	Washer (Lock)-Muffler Clamp Bolt 5/16	1	9N	39-40
9N-5255	.35	Pipe (Outlet)-Muffler	1	9N	39-40
9N-5260	.08	Bracket - Muffler Outlet Pipe	1	9N	39-40
88523-S7-8	.04	Stud - Clamp to Rear Axle Housing 7/16	1	9N	39-40
33792-S7-8	.02	Nut (Hex)-Clamp to Rear Axle Housing Stud 7/16	1	9N	39-40
20396-S7-8	.01	Bolt (Hex Head)-Muffler Outlet Pipe Bracket 5/16-18 x 1-1/16	1	9N	39-40
34806-S7-8	.25-C .01	Washer (Lock)-Muffler Outlet Pipe 5/16	1	9N	39-40

* Not subject to regular discount.



FORD TRACTOR PARTS PRICE LIST



FORD TRACTOR PARTS PRICE LIST



Part No.	Price	Part Name	Unit	Remarks	Type	Year
MUFFLER ASSEMBLY (CONT'D)						
33797-S7-8	\$.01	Nut (Hex)-Muffler Outlet Pipe Bracket Bolt 5/16-18	1		9N	39-40
9N-5290	.75	Shield Assy. - Exhaust Pipe	1		9N	39-40
9N-5293	.08	Clamp - Exhaust Pipe Shield	1		9N	39-40
24327-S7-8	.01	Bolt (Hex Head)-Exhaust Pipe Shield Clamp 5/16-24 x 5/8	2		9N	39-40
34806-S	.10-C .01	Washer (Lock)-Exhaust Pipe Shield Assy. Bolt 5/16	2		9N	39-40

ENGINE

9N-6005	On Request	Engine Assy. (Less Transmission and Clutch)	1		9N	39-40
9N-6010	*46.00	Cylinder Block Assy. with Sleeves and Bearing Caps	1		9N	39-40
9N-6011	*105.00	Cylinder Block Assy. with Pistons, Connecting Rods and Valves	1		9N	39-40
74120-S	.01	Plug (Expansion)-Rear of Cylinder Block 1-3/16	1		9N	39-40
74129-S	.01	Plug (Expansion)-Rear Camshaft Hole 2"	1		9N	39-40
88146-S	.03	Stud (Screw)-Valve Chamber Cover 5/16	2		9N	39-40
88371-S	.03	Stud (Screw)-Water Pump Housing to Cylinder Block 5/16	3		9N	39-40
88403-S	.04	Stud (Screw)-Manifold to Cylinder Block 7/16	4		9N	39-40
9N-6017	2.15	Cover - Timing Gear Side	1		9N	39-40
9N-6018	.01	Gasket - Timing Gear Side Cover	1		9N	39-40
20388-S	.02	Bolt (Hex Head)-Timing Gear Cover 3/8 - 16 x 1	3		9N	39-40
34807-S	.20-C .01	Washer (Lock)-Timing Gear Cover Bolt 3/8	3		9N	39-40
9N-6019-B	3.40	Cover - Cylinder Front	1		9N	39-40
B-17552	.02	Plug - Cylinder Front Cover	2		9N	39-40
9N-6020	.02	Gasket - Cylinder Front Cover	1		9N	39-40
20388-S	.02	Bolt (Hex Head)-Cylinder Front Cover Plate 3/8 - 16 x 1	5		9N	39-40
34807-S	.20-C .01	Washer (Lock)-Cylinder Front Cover Plate Bolt 3/8	5		9N	39-40
9N-6022	.02	Gasket - Governor to Cylinder Timing Gear Cover Side	1		9N	39-40
9N-6043	.03	Plug (Front)-Engine Block Oil Pipe .	2		9N	39-40
9N-6050-B	7.50	Cylinder Head	1		9N	39-40
9N-6051	.60	Gasket - Cylinder Head	1		9N	39-40
351025-S7-8	.03	Nut (Hex)-Cylinder Head Stud 7/16-20	18		9N	39-40
99A-6055	1.70	Sleeve - Cylinder Block	4		9N	39-40
40-6057-B	.20	Insert, Intake Valve	4		9N	39-40
52-6057-B	.20	Insert, Exhaust Valve	4		9N	39-40
9N-6066	.03	Stud (Short)-Cylinder Head	15		9N	39-40
18-6066	.03	Stud (Medium)-Cylinder Head	1		9N	39-40
48-6067	.03	Stud (Long)-Cylinder Head	2		9N	39-40
9N-6100	4.35	Piston and Connecting Rod Assy.	4		9N	39-40
99A-6110-A	1.60	Piston (Standard)	4		9N	39-40
99A-6135-A	.30	Pin - Piston	4		9N	39-40
78-6140	.02	Retainer - Piston Pin	8		9N	39-40
99A-6150-A	.12	Ring - Piston	8		9N	39-40
99A-6153-A	.15	Ring - Piston Oil Control	4		9N	39-40
9N-6200	2.75	Rod - Connecting Assy.	4		9N	39-40
9N-6211	.25	Liner - Connecting Rod Bearing	8		9N	39-40

* Not subject to regular discount.

FORD TRACTOR PARTS PRICE LIST

Part No.	Price	Part Name	Unit	Remarks	Type	Year
ENGINE (CONT'D)						
18-6212	\$.03	Nut - Connecting Rod	8	9N	39-40
352250-S	.03-X	Pin (Cotter)-Connecting Rod-Special.	8	9N	39-40
9N-6251	*5.50	Camshaft and Gear Assy.	1	9N	39-40
91A-6266	.03	Seal - Camshaft Rear Bearing	1	9N	39-40
9N-6303	19.50	Crankshaft	1	9N	39-40
48-6306	.90	Gear - Crankshaft	1	9N	39-40
74156-S	.04	Key (Woodruff) 1/4 x 1/8	1	9N	39-40
40-6310	.05	Slinger - Crankshaft Oil	1	9N	39-40
9N-6312	1.30	Pulley Assy. - Crankshaft	1	9N	39-40
B-6319-A	.25	Ratchet - Crankshaft	1	9N	39-40
9N-6325	1.10	Cap - Crankshaft Bearing (Rear)	1	9N	39-40
9N-6330	1.15	Cap - Crankshaft Bearing (Center) ..	1	9N	39-40
9N-6331	.90	Liner - Main Bearing (Center)	2	9N	39-40
9N-6333	.40	Liner - Main Bearing Front and Rear.	4	9N	39-40
91A-6335	.20	Seal - Crankshaft Rear Bearing Oil .	1	9N	39-40
9N-6345	.10	Stud (Short)-Main Bearing Cap	5	9N	39-40
9N-6346	.10	Stud (Long)-Main Bearing Cap	1	9N	39-40
B-6348	.05	Nut (Castle) 1/2 - 20 Special	6	9N	39-40
9N-6375	7.00	Fly Wheel and Ring Gear Assy.	1	9N	39-40
9N-6380	5.00	Flywheel - (Only)	1	9N	39-40
350610-S	.05	Bolt (Hex Head)-Flywheel to Crank- shaft 7/16 - 20 .88	4	9N	39-40
9N-6384	1.20	Gear - Flywheel Starting	1	9N	39-40
B-6387	.03	Dowel - Flywheel to Crankshaft	2	9N	39-40
18-6397	.03	Dowel - Cylinder Block to Trans- mission and Front Cover	4	9N	39-40
18-6500-A4	.30	Push Rod - Valve	8	9N	39-40
9N-6505	.50	Valve - Exhaust	4	9N	39-40
40-6505-B	.50	Valve - Intake	4	9N	39-40
40-6510-A	.30-Pr.	Bushing - Valve Guide	16	9N	39-40
40-6512	.02	Retainer - Valve Guide Bushing	8	9N	39-40
78-6513	.15	Spring - Valve	8	9N	39-40
40-6514-B	.03	Retainer - Valve Spring	8	9N	39-40
9N-6520	.20	Cover - Valve Chamber	2	9N	39-40
9N-6521	.10	Gasket - Valve Chamber Cover	2	9N	39-40
88146-S	.03	Stud (Screw)-Valve Chamber Cover 5/16	2	9N	39-40
33798-S	.01	Nut (Hex)-Valve Chamber 5/16 - 24 ..	2	9N	39-40
34806-S	.10-C	Washer (Lock)-Valve Chamber Cover Stud 5/16	2	9N	39-40
9N-6603	2.95	Body Assy. - Oil Pump	1	9N	39-40
9N-6608	2.20	Drive Gear and Shaft Assy. - Oil Pump	1	9N	39-40
52-6610-B	.45	Gear - Oil Pump Driven	1	9N	39-40
9N-6612	.08	Bushing - Oil Pump Body	1	9N	39-40
52-6614-B	.45	Gear - Oil Pump Driving	1	9N	39-40
9N-6615	2.65	Screen Cover Assy. - Oil Pump	1	9N	39-40
22503-S	.07	Bolt (Hex Head)-Oil Pump Cover 1/4 - 20 x 5/8 Drilled.....	3	9N	39-40
9N-6619	.01	Gasket - Oil Pump Cover	1	9N	39-40
9N-6654	.08	Spring - Oil Relief Valve	1	9N	39-40
01A-6663	.02	Plunger - Oil Relief Valve	1	9N	39-40
68-6666	.08	Nut - Oil Relief Valve	1	9N	39-40
9N-6675	17.75	Pan - Oil	1	9N	39-40
B-6700	.06	Packing - Oil Pan and Cylinder Front Cover	2	9N	39-40
91A-6701	.07	Packing - Oil Pan Rear	2	9N	39-40
9N-6710	.12	Gasket - Oil Pan R.H.	1	9N	39-40
9N-6711	.12	Gasket - Oil Pan L.H.	1	9N	39-40
20346-S	.85-C	Bolt (Hex Head)-Engine Pan to Block Bolt 5/16 - 18 x 3/4	12	9N	39-40

* Not subject to regular discount.

FORD TRACTOR PARTS PRICE LIST



Part No.	Price	Part Name	Unit	Remarks	Type	Year
ENGINE (CONT'D)						
34806-S	\$.10-C	Washer (Lock)-Engine Pan to Block				
	.01	Bolt 5/16	16		9N	39-40
9N-6730	1.70	Plug and Screen Assy. - Oil Drain ..	1		9N	39-40
91A-6734	.04	Gasket - Drain Plug	1		9N	39-40
9N-6750-A	.10	Indicator - Oil Level	1		9N	39-40
9N-6754	.15	Tube - Oil Level Indicator	1		9N	39-40
9N-6763	.45	Pipe Assy. - Oil Filler	1		9N	39-40
9N-6766	.30	Cap Assy. - Oil Filler	1		9N	39-40

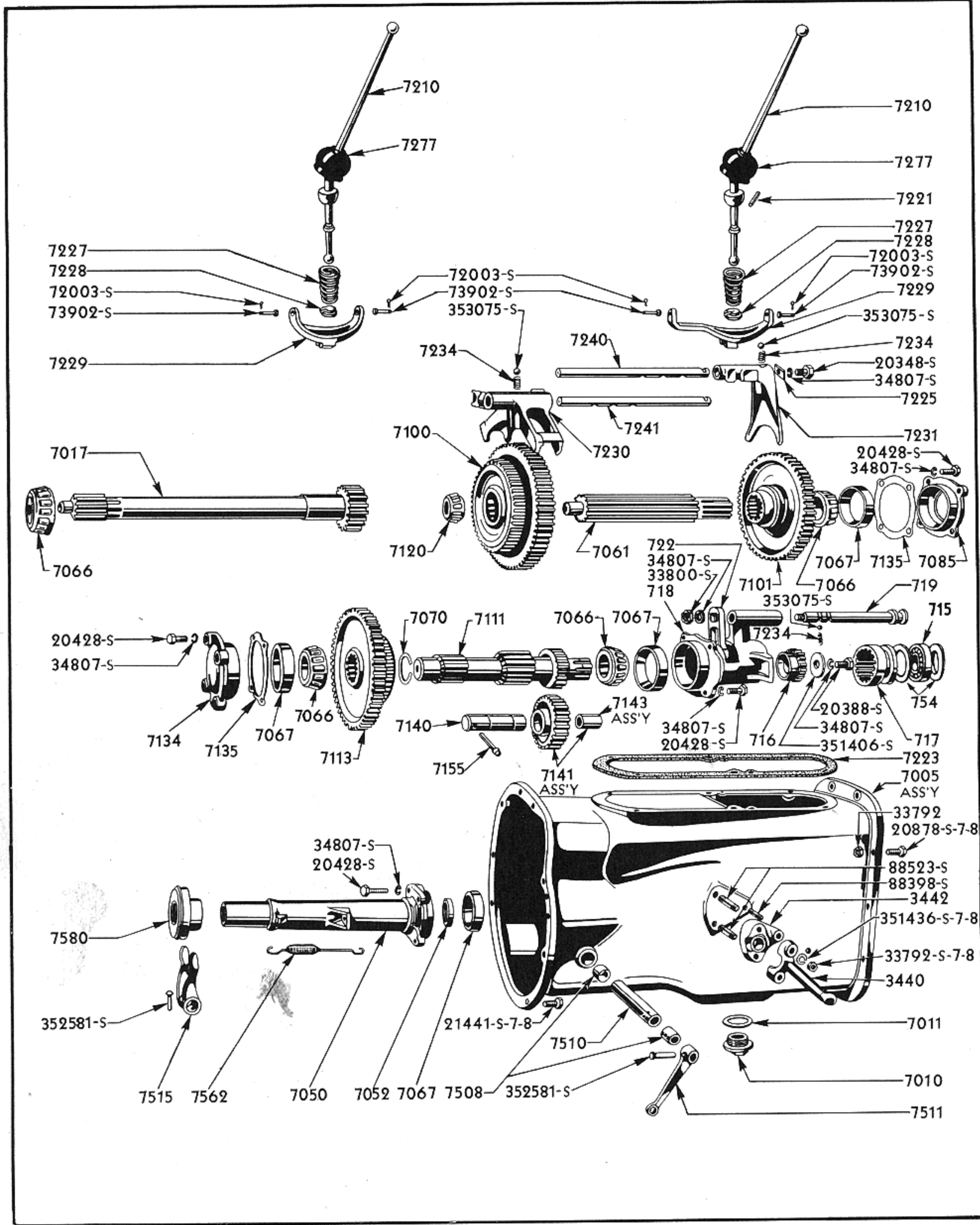
TRANSMISSION

9N-7000	*62.00	Transmission Assy.	1		9N	39-40
21441-S7-8	.02	Bolt (Hex Head)-Transmission Housing to Engine Assy. 7/16 - 14 x 1.128	9		9N	39-40
20878-S7-8	.03	Bolt (Hex Head)-Transmission to Center Housing 7/16 - 20 x 1.25.	9		9N	39-40
33792-S7-8	.02	Nut (Hex)-Transmission to Center Housing Bolt 7/16 - 20	9		9N	39-40
9N-7005	21.25	Case Assy. - Transmission	1		9N	39-40
9N-7010	1.30	Plug (Drain)-Transmission	3		9N	39-40
9N-7011	.02	Gasket - Transmission Drain Plug ...	3		9N	39-40
9N-7017-A	3.80	Gear - Transmission Main Drive	1		9N	39-40
9N-7020	.06	Tube (Short)-Transmission Oil Level Indicator	1		9N	39-40
9N-7021	.20	Tube (Long)-Transmission Oil Level Indicator	1		9N	39-40
9N-7050	1.90	Retainer - Transmission Main Drive Gear Bearing	1		9N	39-40
20428-S	.02	Bolt (Hex Head)-Transmission Re- tainer	4		9N	39-40
	.20-C	Washer (Lock)-Transmission Retainer				
34807-S	.01	Bolt 3/8	4		9N	39-40
78-7052	.35	Seal (Oil)-Transmission Main Drive Gear Bearing	1		9N	39-40
9N-7061	3.45	Shaft (Main)-Transmission	1		9N	39-40
9N-7066	1.25	Cone and Roller Assy. - Transmission Main and Countershaft Bearing ..	4		9N	39-40
9N-7067	.70	Cup - Transmission Main and Counter- shaft Bearing	4		9N	39-40
9N-7070	.05	Ring (Snap)-Transmission Counter- shaft	1		9N	39-40
9N-7085	.90	Retainer - Transmission Main Shaft Bearing	1		9N	39-40
20428-S	.02	Bolt (Hex Head)-Transmission Retainer 3/8-16 x 1-1/4	4		9N	39-40
	.20-C	Washer (Lock)-Transmission Retainer				
34807-S	.01	Bolt 3/8	4		9N	39-40
9N-7100	7.25	Gear (Sliding)-Transmission Low and High	1		9N	39-40
9N-7101	5.25	Gear (Sliding)-Transmission Second and Reverse	1		9N	39-40
9N-7111	4.45	Countershaft - Transmission	1		9N	39-40
9N-7113-A	6.15	Gear - Transmission Countershaft ...	1		9N	39-40
9N-7120	1.20	Bearing Assy. - Transmission Pilot .	1		9N	39-40
9N-7134	.85	Retainer - Transmission Countershaft Bearing	1		9N	39-40
20428-S	.02	Bolt (Hex Head)-Transmission Retainer 3/8-16 x 1-1/4	4		9N	39-40
	.20-C	Washer (Lock)-Transmission Retainer				
34807-S	.01	Bolt 3/8	4		9N	39-40

* Not subject to regular discount.



FORD TRACTOR PARTS PRICE LIST



FORD TRACTOR PARTS PRICE LIST



Part No.	Price	Part Name	Unit	Remarks	Type	Year
TRANSMISSION (CONT'D)						
9N-7135-A	\$.03	Shim - Transmission Bearing Retainer .003	12		9N	39-40
9N-7135-B	.03	Shim - Transmission Bearing Retainer .004	2		9N	39-40
9N-7135-C	.03	Shim - Transmission Bearing Retainer .007	2		9N	39-40
9N-7135-D	.03	Shim - Transmission Bearing Retainer .010	2		9N	39-40
9N-7137	.15	Indicator (Oil Level)-Transmission	1		9N	39-40
9N-7140	.50	Shaft - Reverse Idler Gear	1		9N	39-40
9N-7141	2.35	Gear and Bushing Assy.-Reverse Idler	1		9N	39-40
9N-7143	.30	Bushing - Transmission Idler Gear ..	1		9N	39-40
9N-7155	.05	Pin (Retaining)-Transmission Reverse Idler Shaft	1		9N	39-40
9N-7165	.85	Cover - Center Housing Side	1		9N	39-40
21440-S7-8	.02	Bolt (Hex Head)-Differential Housing Cover (Side) 7/16 - 14 x .75 ..	8		9N	39-40
21441-S7-8	.02	Bolt (Hex Head)-Differential Housing Side Cover 7/16 - 14 x 1.128 ..	4		9N	39-40
9N-7210	1.85	Lever (Shift)-Transmission Gear	1		9N	39-40
9N-7221	.02	Pin - Gear Shift Lever	1		9N	39-40
9N-7223	.12	Gasket - Gear Shift Housing	1		9N	39-40
9N-7225	.04	Plate - Gearshift Fork Rod	1		9N	39-40
20348-S	.02	Bolt (Hex Head)-Shift Rod Anchor 3/8 x 3/4	1		9N	39-40
34807-S	.20-C	Washer (Lock)-Shift Rod Anchor Bolt 3/8	1		9N	39-40
9N-7227	.07	Spring - Shifter Lever	1		9N	39-40
9N-7228	.20	Seat - Gear Shift Lever Spring	1		9N	39-40
9N-7229-A ■	.70	Lock - Gear	1		9N	39-40
9N-7229-B ▲	.20	Lock - Gear	1		9N	39-40
73902-S	.01	Pin (Clevis)-Steering Gear 3/8 x 1 ..	2		9N	39-40
72003-S	.50-M	Pin (Cotter)-Drag Link Clamp 1/16 x 1/2"	2		9N	39-40
	.10-C					
9N-7230-A ■	2.00	Fork (Shifter)-Transmission Low and High Gear	1		9N	39-40
9N-7230-B ▲	3.55	Fork (Shifter)-Transmission Low and High Gear	1		9N	39-40
9N-7231-A ■	1.70	Fork (Shifter)-Transmission Second and Reverse	1		9N	39-40
9N-7231-B ▲	2.35	Fork (Shifter)-Transmission Second and Reverse	1		9N	39-40
79-7234	.02	Spring - Shifter Fork	2		9N	39-40
353075-S	.01	Ball (Steel)-Transmission Shifter Fork 3/8 dia.	2		9N	39-40
9N-7240	.70	Rod - Transmission Selector R.H. ...	1		9N	39-40
9N-7241	.70	Rod - Transmission Selector L.H. ...	1		9N	39-40
9N-7277	.15	Seal (Dust)-Gear Shift Lever	1		9N	39-40
9N-7334	.50	Rod Assy. - Clutch Release	1		9N	39-40
33800-S	.01	Nut (Hex)-Clutch Release Rod 3/8-24.	1		9N	39-40
97013-S	.15	Clevis (Adjustable)-Clutch Release Rod 3/8-24	1		9N	39-40
9N-7503	.95	Shaft and Arm Assy. - Clutch Release	1		9N	39-40
9N-7508	.10	Bushing - Clutch Pedal	1		9N	39-40
40-7508	.07	Bushing - Clutch Release Shaft	1		9N	39-40
B-7510	.60	Shaft (Release)-Clutch	1		9N	39-40
353027-A2-S7-8	.05	Fitting (Lubrication)-Clutch Release Shaft 1/8	1		9N	39-40

* Not subject to regular discount.

■ ▲ See remarks on page 48



FORD TRACTOR PARTS PRICE LIST

Part No.	Price	Part Name	Unit	Remarks	Type	Year
TRANSMISSION (CONT'D)						
9N-7511	\$.25	Arm - Clutch Release Shaft	1	9N	39-40
352581-S7-8	.01	Pin (Special Flat Head)-Clutch Release Shaft to Arm 5/16 x 1-1/2	1	9N	39-40
48-7515	.40	Fork - Clutch Release Shaft	1	9N	39-40
352581-S7-8	.01	Pin (Special Flat Head)-Clutch Release Shaft to Fork	1	9N	39-40
9N-7520	1.95	Pedal - Clutch	1	9N	39-40
9N-7530	.65	Rod and Yoke Assy. (Release)-Clutch.	1	9N	39-40
72010-S	.75-M	Pin (Cotter)-Clutch Rod Clevis 1/8 x 5/8	2	9N	39-40
	.10-C					
	.03-X					
73912-S7-8	.04	Pin (Clevis)-Clutch Pedal 3/8 x 1-1/16	2	9N	39-40
40-7549	.45	Facings - Clutch Disc	2	9N	39-40
351926-S	.30-C	Rivet (Flat Head C'sunk)-Clutch Disc 5/32 x 3/16	24	9N	39-40
	.01					
91A-7550	3.60	Disc Assy. - Clutch	1	9N	39-40
60006-S	.10-C	Rivet (Flat Head)-Clutch Disc Assy. 5/32 x 3/16	6	9N	39-40
	.01					
9N-7561	.65	Hug - Clutch Release Bearing	1	9N	39-40
9N-7562	.07	Spring - Clutch Release Bearing	2	9N	39-40
48-7563	4.75	Pressure Plate and Cover Assy. Clutch	1	9N	39-40
350433-S	.01	Screw (Hex Head)-Clutch to Flywheel 5/16 - 18 x 1	6	9N	39-40
	.10-C					
34806-S	.01	Washer (Lock)-Clutch to Flywheel Bolt 5/16	6	9N	39-40
	.01					
78-7580	1.60	Bearing Assy. - Clutch Release	1	9N	39-40
B-7600-A	1.25	Bearing - Clutch Pilot	1	9N	39-40
B-7609	.04	Retainer - Flywheel Dowel	1	9N	39-40

RADIATOR AND GRILLE

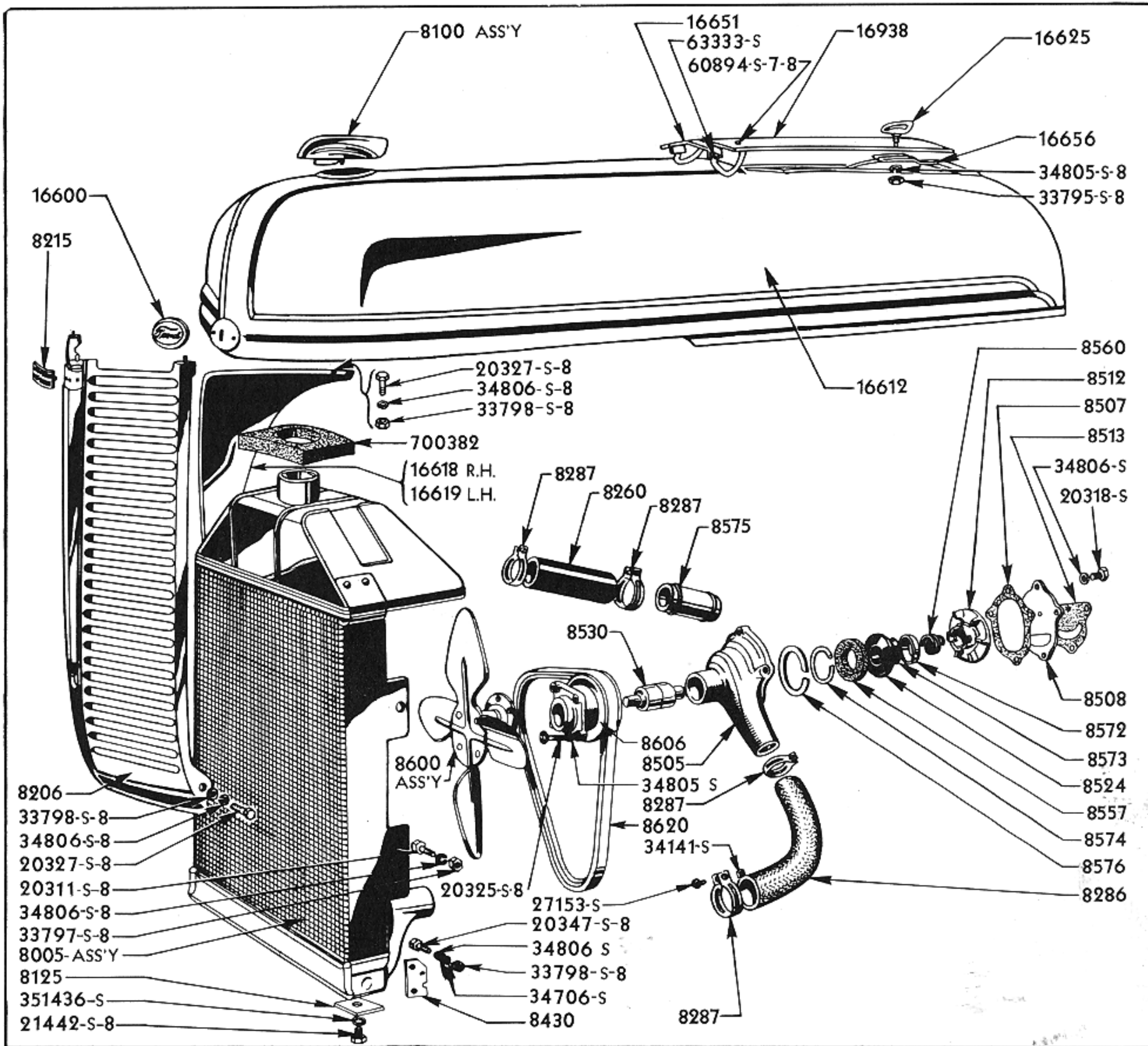
9N-8005	22.00	Radiator Assy.	1	9N	39-40
21442-S8	.03	Bolt (Hex Head)-Radiator to Support 7/16-14 x 1.375	2	9N	39-40
	.01					
351436-S8	.01	Washer (Lock)-Radiator to Support Bolt 7/16	2	9N	39-40
	.80					
9N-8100	.80	Cap Assy. - Radiator	1	9N	39-40
9N-8115	.12	Cock (Drain)-Radiator	1	9N	39-40
40-8125	.02	Anti-Squeak - Radiator to Bracket ..	2	9N	39-40
9N-8206-B	*8.25	Grille - Radiator	1	9N	39-40
20327-S8	.01	Bolt (Hex Head)-Grille to Support 5/16-24 x 5/8	2	9N	39-40
	.01					
33798-S8	.01	Nut (Hex)-Grille to Support 5/16-24.	2	9N	39-40
34806-S8	.25-C	Washer (Lock)-Grille to Support 5/16	2	9N	39-40
	.01					
9N-8215	.25	Ornament - Radiator	1	9N	39-40
33795-S8	.01	Nut (Hex)-Name Plate to Grille 1/4-20	1	9N	39-40
	.01					
350835-S	.01	Nut (Speed)-Name Plate to Grille ...	1	9N	39-40
9N-8260	.20	Hose - Radiator	1	9N	39-40
9N-8286	.55	Hose - Radiator Outlet to Water Pump	1	9N	39-40
60-8287	.04	Clamp Assy. - Radiator Hose	4	9N	39-40
27153-S	.55-C	Screw (Round Head)-Hose Clamp Assy. No. 10-32 x 1-1/8	4	9N	39-40
	.01					
34141-S	.20-C	Nut (Square)-Hose Clamp Assy. Screw No. 10-32	4	9N	39-40
	.01					

* Not subject to regular discount.

FORD TRACTOR PARTS PRICE LIST



Part No.	Price	Part Name	Unit	Remarks	Type	Year
----------	-------	-----------	------	---------	------	------



RADIATOR AND GRILLE (CONT'D)

9N-8430-B	\$.06	Support - Radiator Grille Lower	2		9N	39-40
20347-S8	.01	Bolt (Hex Head)-Grille Bracket to Radiator Bracket 5/16-24 x 3/4	4		9N	39-40
33798-S8	.01	Nut (Hex)-Grille Bracket to Radiator Bracket Bolt 5/16-24	4		9N	39-40
34706-S8	.01	Washer (Flat)-Grille Bracket to Radiator Support 5/16	4		9N	39-40
34806-S8	.25-C	Washer (Lock)-Grille Bracket to Radiator Support Bolt 5/16	4		9N	39-40
74-700382	.25	Pad - Weather	1		9N	39-40

WATER PUMP (See Illustration Above)

9N-8501	7.40	Water Pump Assy.	1		9N	39-40
9N-8505	2.80	Housing - Water Pump	1		9N	39-40

* Not subject to regular discount.

FORD TRACTOR PARTS PRICE LIST



Part No.	Price	Part Name	Unit	Remarks	Type	Year
WATER PUMP (CONT'D)						
20318-S7-8	\$.01	Bolt (Hex Head)-Water Pump Housing to Cylinder Block 5/16-18 x 9/16	1	9N	39-40
88371-S	.03	Stud (Screw)-Water Pump Housing to Cylinder Block 5/16	3	9N	39-40
33798-S	.01	Nut (Hex)-Water Pump Stud 5/16-24 ..	3	9N	39-40
34806-S	.10-C	Washer (Lock)-Water Pump Housing to Cylinder Block 5/16	4	9N	39-40
9N-8507	.03	Gasket - Water Pump	1	9N	39-40
9N-8508	.15	Cover - Water Pump	1	9N	39-40
78-8512	.40	Impeller - Water Pump	1	9N	39-40
9N-8513	.02	Gasket (Rear)-Water Pump	1	9N	39-40
68-8524	.07	Seal - Water Pump	1	9N	39-40
79-8530	2.35	Bearing Assy. - Water Pump	1	9N	39-40
68-8557-A	.20	Washer - Water Pump	1	9N	39-40
68-8560	.03	Spring - Water Pump	1	9N	39-40
68-8572	.02	Ring (Clamp)-Water Pump	1	9N	39-40
68-8573	.04	Guide (Spring)-Water Pump	1	9N	39-40
68-8574	.01	Wire (Snap)	1	9N	39-40
9N-8575-A	1.10	Thermostat Assy.	1	9N	39-40
9N-8576	.04	Ring (Snap)-Water Pump Housing	1	9N	39-40
9N-8600	1.25	Fan Assy.	1	9N	39-40
20325-S	.01	Bolt (Hex Head)-Fan to Fan Pulley 1/4-28 x 5/8	4	9N	39-40
34805-S	.20-C	Washer (Lock)-Fan to Fan Pulley	4	9N	39-40
9N-8606	1.55	Pulley - Fan	1	9N	39-40
9N-8620	.90	Belt - Fan	1	9N	39-40

FUEL SYSTEM

9N-9002-A ●	7.50	Fuel Tank Assy.	1	9N	39-40
20347-S8	.01	Bolt (Hex Head)-Fuel Tank to Fuel Tank Support 5/16-18 x 3/4	4	9N	39-40
34706-S8	.01	Washer (Flat)-Fuel Tank to Fuel Tank Support 5/16	4	9N	39-40
34806-S8	.25-C	Washer (Lock)-Fuel Tank to Fuel Tank Support 5/16	4	9N	39-40
33798-S8	.01	Nut (Hex)-Fuel Tank to Fuel Tank Support Bolt 5/16-24	4	9N	39-40
9N-9030	.20	Cap Assy. - Fuel Tank Filler	2	9N	39-40
9N-9121	.10	Anti-Rattler - Fuel Line	1	9N	39-40
9N-9155-A	1.55	Sediment Bulb Assy. - Radiator	1	9N	39-40
9N-9160	.02	Gasket - Sediment Bulb	1	9N	39-40
9N-9161	.08	Screen - Sediment Bulb	1	9N	39-40
9N-9162	.10	Glass Bowl - Sediment Bulb	1	9N	39-40
9N-9164-A	1.45	Valve Body Assy. - Sediment Bulb ...	1	9N	39-40
9N-9166	.15	Hold Up Wire Assy. - Sediment Bulb .	1	9N	39-40
9N-9167	.10	Hold Up Nut - Sediment Bulb	1	9N	39-40
9N-9273	1.25	Gauge Assy. - Oil Pressure	1	9N	39-40
9N-9282-A	.25	Fuel Line Assy.	1	9N	39-40
91A-2133	.03	Nut - Fuel Line Assy.	2	9N	39-40

MANIFOLD

(See Illustration on Page 22)

9N-9425	5.35	Manifold - Intake and Exhaust	1	9N	39-40
88403-S	.04	Stud (Screw)-Exhaust Manifold 7/16 .	4	9N	39-40
33816-S	.03	Nut (Hex)-Exhaust Manifold Studs 7/16-20	4	9N	39-40

* Not subject to regular discount.

● See remarks on page 47

FORD TRACTOR PARTS PRICE LIST

Part No.	Price	Part Name	Unit	Remarks	Type	Year
MANIFOLD (CONT'D)						
351436-S7-8	\$.01	Washer (Lock)-Manifold 7/16	4	9N	39-40
9N-9447	.02	Gasket - Carburetor to Manifold	1	9N	39-40
9N-9448	.05	Gasket - Intake and Exhaust Manifold	2	9N	39-40

CARBURETOR

(See Illustration on Page 30)

9N-9506	3.50	Throttle Body Assy. - Carburetor ...	1	9N	39-40
355245-S	.05	Screw - Bowl Cover to Body No. 12-24 x 5/8	4	9N	39-40
34804-S	.01	Washer (Lock)-Bowl Cover to Body No. 12	4	9N	39-40
9N-9507	3.15	Carburetor Body and Plugs Assy.	1	9N	39-40
9N-9510-A	7.65	Carburetor Assy.	1	9N	39-40
20346-S7-8	.01	Bolt (Hex Head)-Manifold to Car- buretor 5/16-18 x 3/4	2	9N	39-40
34806-S-8	.25-C	Washer (Lock)-Manifold to Carburetor				
	.01	Bolt 5/16	2	9N	39-40
9N-9447	.02	Gasket - Carburetor to Manifold	1	9N	39-40
9N-9515	.05	Gasket - Between Upper and Lower Body	1	9N	39-40
9N-9530	.35	Nozzle - Carburetor (Main)	1	9N	39-40
9N-9533	.15	Jet - Maximum Fuel Limiting	1	9N	39-40
9N-9536-A	.15	Ratchet Assy. - Main Adjustment	1	9N	39-40
356181-S	.05	Washer (Lock)-Main Adjustment Ratchet Assy.	2	9N	39-40
9N-9539	.15	Spring (Choke Return)-Carburetor ...	1	9N	39-40
9N-9540-A	.10	Spring - Main Adjustment Needle	1	9N	39-40
9N-9541	.25	Needle - Idling Adjusting	1	9N	39-40
9N-9545-A	.20	Plate - Main Air Choke	1	9N	39-40
356181-S	.05	Washer (Lock)-Main Air Choke Plate .	2	9N	39-40
355000-S	.05	Screw (Machine)-Main Air Choke Plate No. 4-36 x 1/4	2	9N	39-40
9N-9546-A	.45	Choke Lever and Shaft Assy.	1	9N	39-40
9N-9550-A	1.00	Float and Lever Assy.	1	9N	39-40
9N-9553	.35	Strainer and Elbow Assy.	1	9N	39-40
9N-9558-A	.05	Shaft - Carburetor Float Lever	1	9N	39-40
9N-9563-A	.05	Gasket - Adjusting Needle Seat Plug.	1	9N	39-40
9N-9564	.95	Seat and Valve Assy. - Matched Float	1	9N	39-40
9N-9565-A	.35	Needle Assy. - Main Adjustment	1	9N	39-40
356211-S	.05	Washer (Flat)-Main Adjustment Needle No. 22-3/8	1	9N	39-40
9N-9578	.10	Spring - Idle Adjustment Needle	1	9N	39-40
9N-9581-A	.60	Throttle Shaft and Lever Assy. - Carburetor	1	9N	39-40
9N-9585-A	.20	Throttle Fly-- Carburetor	1	9N	39-40
356181-S	.05	Washer (Lock)-Carburetor Throttle Fly	2	9N	39-40
355000-S	.05	Screw (Machine)-Carburetor Throttle Fly No. 4-36 x 1/4	2	9N	39-40
9N-9586-A	.25	Venturi	1	9N	39-40
9N-9588	.05	Screw - Carburetor Throttle Plate ..	2	9N	39-40
9N-9589	.10	Spring - Throttle Lever Adjustment Screw	1	9N	39-40
9N-9596	.15	Jet - Idler	1	9N	39-40
9N-9608	.05	Gasket - Pump Check Valve Screw	1	9N	39-40
9N-9610	.10	Screw - Carburetor Throttle Adjust- ment	1	9N	39-40
9N-9622-A	.05	Packing - Throttle Shaft	1	9N	39-40

* Not subject to regular discount.

FORD TRACTOR PARTS PRICE LIST



Part No.	Price	Part Name	Unit	Remarks	Type	Year
CARBURETOR (CONT'D)						
9N-9819-A	\$.06	Rod Assy. - Governor to Carburetor	1	9N	39-40
9N-9914	.15	Jet - Econimizer	1	9N	39-40
9N-9974	.05	Screw (Headless)-Idle Drilling Plug 1/4-20	1	9N	39-40
9N-18376	.20	Gasket Kit - Carburetor	1	9N	39-40

AIR CLEANER (See Illustration on Page 30)

9N-9600-C1 ★	6.40	Air Cleaner Assy. (Donaldson)	1	9N	39-40
9N-9600-C2 ★	6.40	Air Cleaner Assy. (U.S.)	1	9N	39-40
9N-9602-C1	.60	Cover Assy. - Air Cleaner (Donaldson)	1	9N	39-40
9N-9602-C2	.25	Cover Assy. - Air Cleaner (U.S.)	1	9N	39-40
355940-S	.05	Nut (Special Wing)-Air Cleaner Cover 1/4-20	1	9N	39-40
9N-9609-C1	4.60	Body Assy. - Air Cleaner (Donaldson)	1	9N	39-40
9N-9609-C2	4.75	Body Assy. - Air Cleaner (U.S.)	1	9N	39-40
9N-9619-C1	.20	Screen (Inner)-Air Cleaner (Donaldson)	1	9N	39-40
9N-9619-C2	.05	Screen (Inner)-Air Cleaner (U.S.)	1	9N	39-40
9N-9623	.02	Gasket - Air Cleaner	1	9N	39-40
9N-9628-C1	.60	Clamp Assy. - Air Cleaner (Donaldson)	1	9N	39-40
9N-9628-C2	.25	Clamp Assy. - Air Cleaner (U.S.)	1	9N	39-40
9N-9652-	.10	Hose - Air Cleaner to Carburetor	2	9N	39-40
9N-9653	.04	Clamp - Air Cleaner to Carburetor Hose	4	9N	39-40
9N-9658-C1	1.35	Oil Cup Assy.-Air Cleaner (Donaldson)	1	9N	39-40
9N-9658-C2	.85	Oil Cup Assy.-Air Cleaner (U.S.)	1	9N	39-40
9N-18215-A	1.15	Pipe - Air Cleaner to Carburetor	1	9N	39-40
9N-18215-C	1.15	Pipe - Air Cleaner to Carburetor	1	9N	39-40

THROTTLE CONTROLS (See Illustration on Page 30)

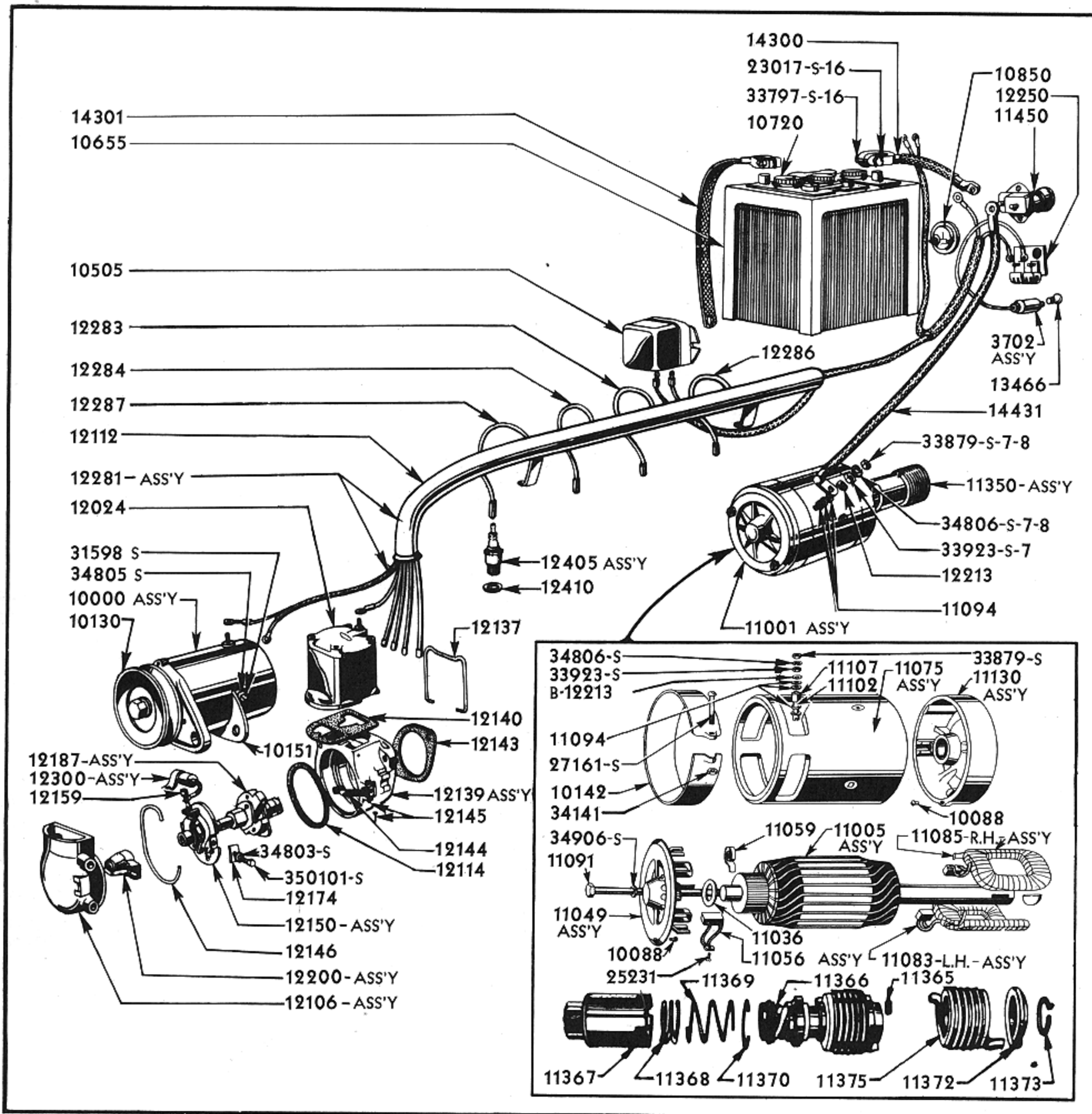
9N-9700-A	1.90	Rod Assy. - Choke Control	1	9N	39-40
9N-9703	.18	Knob - Choke	1	9N	39-40
9N-9802	1.45	Shaft Assy. - Throttle Control	1	9N	39-40
9N-9805	.95	Rod - Throttle Control	1	9N	39-40
9N-9806	.02	Spring - Throttle Control Rod	1	9N	39-40
9N-9807	.35	Lever - Throttle Control (Short)	1	9N	39-40
9N-9810	.10	Socket Assy. - Throttle Control Rod	1	9N	39-40
9N-9811	.06	Pin - Throttle Control Rod Ball Socket	4	9N	39-40
9N-9812	.05	Retainer - Throttle Control Rod Spring	1	9N	39-40
9N-9815-A	.10	Rod Assy. - Throttle Shaft to Governor	1	9N	39-40
9N-9818-A	.06	Rod - Governor to Carburetor	1	9N	39-40
9N-9820	.50	Quadrant - Throttle Control Rod	1	9N	39-40
20346-S7-8	.01	Bolt (Hex Head)-Throttle Control Quadrant to Upper Steering Gear Housing 5/16-18 x 3/4	2	9N	39-40
9N-9824	.05	Bracket - Throttle Control Shaft	1	9N	39-40
9N-9828	.04	Pin - Throttle Control Shaft Bracket	1	9N	39-40

* Not subject to regular discount.

★ See remarks on page 47



FORD TRACTOR PARTS PRICE LIST



FORD TRACTOR PARTS PRICE LIST



Part No.	Price	Part Name	Unit	Remarks	Type	Year
GENERATOR						
9N-10000-B	\$15.00	Generator Assy. (3 Brush Type)	1	All 39-40 tractors. When necessary to replace 10000-A (2 brush type) use "B" in accordance with bulletin.....	9N	39-40
20559-S	.05	Bolt (Hex Head)-Generator to Engine 1/2 - 20 x 3-1/4	1	A	9N	39-40
33846-S	.02	Nut (Hex)-Generator to Engine Bracket Bolt 1/2 - 20	1	A	9N	39-40
34809-S	.01	Washer (Lock)-Generator to Engine Bracket Bolt 1/2"	1	A	9N	39-40
20887-S7-8	.05	Bolt (Hex Head)-Generator to Engine.	1	B	9N	39-40
33792-S	.02	Nut (Hex)-Generator to Engine Bracket Bolt 7/16 - 20	1	B	9N	39-40
34808-S	.45-C	Washer (Lock)-Generator to Engine Bracket Bolt 7/16	1	B	9N	39-40
9N-10005-A	4.80	Armature Assy. - Generator	1	A	9N	39-40
9N-10005-B	4.80	Armature Assy. - Generator	1	B	9N	39-40
9N-10044	.01	Screw - Pole Piece	2	A and B	9N	39-40
9N-10050-A	1.45	End Plate Assy. - Generator	1	A	9N	39-40
9N-10050-B	1.75	End Plate Assy. - Generator	1	B	9N	39-40
31588-S7-8	.01	Screw (Fillister Head)-Generator Brush Terminal to End Plate No. 10 - 32 x 5/16	1	A	9N	39-40
34823-S2	.01	Washer (Lock)-Generator Brush Terminal to End Plate Screw No. 10	1	A	9N	39-40
9N-10057	.03	Spring - Generator Brush	2	A	9N	39-40
			3	B
9N-10069-A	.20	Fixed Brush and Terminal Wire Assy. - Generator	2	A	9N	39-40
9N-10069-B	.20	Brush and Terminal Wire Assy. - Generator	3	B	9N	39-40
355025-S7-8	.01	Screw - Generator Brush Terminal ...	3	B	9N	39-40
9N-10078-A	3.10	Frame Assy. - Generator	1	A	9N	39-40
9N-10078-B	3.25	Frame Assy. - Generator	1	B	9N	39-40
18-10088	.01	Dowel - Generator and Starter Frame.	2	A and B	9N	39-40
9N-10120	.04	Bolt (Through)-Generator	2	A and B	9N	39-40
34803-S	.10-C	Washer (Lock)-Generator End Plate and Frame Assy. No. 10	2	A and B	9N	39-40
9N-10130-A	1.20	Pulley - Generator	1	A	9N	39-40
9N-10130-B	1.30	Pulley - Generator	1	B	9N	39-40
9N-10130-C	1.20	Pulley - Generator	1	Special Equipment	9N	39-40
74142-S	.01	Key (Woodruff)-Generator Pulley to Shaft 1/2 x 1/8	1	A and B	9N	39-40
9N-10138-A	1.90	Plate Assy. - Generator Frond End ..	1	A	9N	39-40
9N-10138-B	2.15	Plate Assy. - Generator Front End ..	1	B	9N	39-40
B-10141	.03	Cup - Generator Oil	1	A and B	9N	39-40
18-10146	.01	Retainer - Wick	1	A and B	9N	39-40
9N-10147	.02	Wick - Generator Brush End Plate ...	1	A and B	9N	39-40
9N-10151-A	.06	Support - Generator	1	A	9N	39-40
9N-10151-B	.10	Support - Generator	1	B	9N	39-40
31598-S	.01	Screw - Bracket to Generator Frame .	2	A and B	9N	39-40
34805-S	.20-C	Washer (Lock)-Bracket to Generator Frame Screw No. 10	2	A and B	9N	39-40
9N-10175-A	1.40	Field Coil Assy. - Generator	1	A	9N	39-40
9N-10175-B	1.40	Field Coil Assy. - Generator	1	B	9N	39-40

* Not subject to regular discount.

"A" 2 Brush Type - "B" 3 Brush Type

FORD TRACTOR PARTS PRICE LIST

Part No.	Price	Part Name	Unit	Remarks	Type	Year
GENERATOR (CONT'D)						
81A-10211	\$.01	Screw - Generator Terminal No. 10-32	1	A	9N	39-40
34703-S7-8	.15-C	Washer (Flat)-Generator Terminal				
	.01	Screw No. 10.....	1	A	9N	39-40
34079-S7-8	.30-C					
	.01	Nut (Hex)-Generator Terminal Screw .	2	A	9N	39-40
34803-S	.10-C	Washer (Lock)-Generator Terminal				
	.01	Screw No. 10	1	A	9N	39-40
9N-10211	.02	Screw - Generator Terminal	1	B	9N	39-40
351253-S7-8	.01	Washer (Flat)-Generator Terminal				
		Screw No. 10	1	B	9N	39-40
34079-S7-8	.30-C					
	.01	Nut (Hex)-Generator Terminal Screw .	2	B	9N	39-40
34803-S	.10-C	Washer (Lock)-Generator Terminal				
	.01	Screw No. 10	1	B	9N	39-40
9N-10505-A	4.15	Regulator-(Voltage) Generator	1	A	9N	39-40
9N-10505-B	1.10	Cut Out Assy. - Generator	1	B	9N	39-40

BATTERY

(See Illustration on Page 34)

9N-10655-A	*8.75	Battery Assy. - 13 Plate	1	9N	39-40
81A-10720	.10	Plug (Filler)-Battery	3	9N	39-40
9N-10724	.70	Strap Assy. (Hold Down)-Battery	1	9N	39-40
01A-10726	.05	Insulator - Battery Hold Down Strap.	1	9N	39-40
9N-10728	.15	Side Piece - Battery Hold Down Strap	2	9N	39-40
34171-S7-8	.04	Nut (Blind)-Battery Hold Down Strap				
		to Dash 5/16 - 24	2	9N	39-40
34746-S	.20-C	Washer (Flat)-Battery Hold Down				
	.01	Strap to Dash 5/16	2	9N	39-40

AMMETER

(See Illustration on Page 16)

9N-10850-A	1.10	Ammeter Assy.	1	First 4000 tractors	9N	39-40
9N-10850-B	1.20	Ammeter Assy.	1	After 4000 tractors	9N	39-40
350860-S	.02	Nut (Hex Brass)-Ammeter to Rear Bolt				
		No. 10-32	2	9N	39-40

STARTER AND DRIVE

(See Illustration on Page 34)

52-11001	14.25	Starter and Drive Assy.	1	9N	39-40
52-11002	10.00	Starter Assy. (Only)	1	9N	39-40
18-10142	.04	Band - Starter Cover	1	9N	39-40
27161-S	.01	Screw (Round Head Machine)-Starter				
		Cover Band No. 10 - 32 x 1-1/4 .	1	9N	39-40
34141-S	.20-C	Nut (Square)-Starter Cover Band				
	.01	Screw No. 10-32	1	9N	39-40
52-11005	3.50	Armature Assy. - Starter	1	9N	39-40
18-11036	.05-DZ	Washer (Thrust)-Starter Armature ...	2	9N	39-40
18-11049	.60	End Plate Assy. - Starter Brush	1	9N	39-40
18-11056	.12	Brush Assy. - Starter (Grounded) ...	2	9N	39-40
25231-S7-8	.01	Screw (Fillister Head Machine)-				
		Starter Brush Assy. to Frame				
		No. 10 - 32 x 1/2	2	9N	39-40

* Not subject to regular discount.

"A" 2 Brush Type - "B" 3 Brush Type

FORD TRACTOR PARTS PRICE LIST



Part No.	Price	Part Name	Unit	Remarks	Type	Year
STARTER AND DRIVE (CONT'D)						
B-11059	\$.03	Spring - Starter Brush	4	9N	39-40
18-11075	2.80	Starter Frame Assy.	1	9N	39-40
18-11083	.65	Field Coil - Starter L.H.	1	9N	39-40
18-11085	.60	Field Coil - Starter R.H.	1	9N	39-40
18-11091	.04	Bolt (Through)-Starter	2	9N	39-40
34906-S	.25-C	Washer (Internal Tooth)-Starter Through Bolt 5/16	2	9N	39-40
18-11094	.01	Washer - Starter Field Terminal	3	9N	39-40
18-11102	.05	Terminal - Starter Field	1	9N	39-40
34806-S7-8	.25-C	Washer (Lock)-Starter Field Terminal Post 5/16	1	9N	39-40
33923-S7	.01	Nut (Hex)-Starter Field Terminal Check Nut 5/16 - 24	1	9N	39-40
33879-S7	.01	Nut (Hex)-Starter Field Terminal Post	1	9N	39-40
18-11107	.02	Bushing - Starter Terminal	1	9N	39-40
52-11130	1.00	Plate Assy. - Starter (Rear End) ...	1	9N	39-40
82A-11140-B	.02	Bracket - Starter to Oil Pan	1	9N	39-40
52-11350-C	3.50	Drive Assy. - Starter	1	9N	39-40
52-11365-B	.02	Pin - Pinion	1	9N	39-40
52-11366-B	2.30	Shaft - Drive Screw	1	9N	39-40
52-11367	1.70	Pinion and Barrel Drive	1	9N	39-40
52-11368	.18	Spring - Meshing	1	9N	39-40
52-11369	.10	Spring - Anti-Drift	1	9N	39-40
52-11370	.03	Ring - Pinion and Barrel Retainer ..	1	9N	39-40
52-11372	.22	Plate - Spring Anchor	1	9N	39-40
52-11373	.05	Ring (Lock)-Spring	1	9N	39-40
52-11375	.55	Spring - Starter Drive	1	9N	39-40
9N-11450-A ■	.60	Switch - Starter Assy. (In Dash) ...	1	Details--Page 16	9N	39-40
9N-11450-B ▲	1.10	Switch - Starter Assy. (Foot Control)	1	Details--Page 16	9N	39-40
9N-11467	.02	Gasket - Starting Switch	1	9N	39-40
20310-S7-8	.01	Bolt (Hex Head)-Starter Button 5/16 - 18 x 1/2	2	Details--Page 16	9N	39-40
33798-S2	.01	Nut (Hex)-Starter Switch Assy. 5/16 - 24	2	Details--Page 16	9N	39-40
34806-S	.10-C	Washer (Lock)-Starter Switch to Steering Gear Housing 5/16	2	Details--Page 16	9N	39-40
9N-11500	.15	Knob - Starter Switch (Rubber)	1	Details--Page 16	9N	39-40
9N-11506	.60	Starter Button Assy.	1	Details--Page 16	9N	39-40
9N-11511	.05	Rod - Starter Push Lever	1	Details--Page 16	9N	39-40
9N-11512	.20	Rod - Starter Push	1	Details--Page 16	9N	39-40
72009-S	.50-M	Pin (Cotter)-Starter Button to Starter Switch Push Rod 3/32 x .10-C 5/8	1	Details--Page 16	9N	39-40
9N-11515	1.15	Lever - Starter Push	1	Details--Page 16	9N	39-40
9N-11653	3.10	Switch-(Light)	1	Details--Page 16	9N	39-40
9N-11664	.05	Plug (Rubber)-Dash	1	Details--Page 16	9N	39-40

DISTRIBUTOR AND COIL

(See Illustration on Page 34)

9N-12000	14.75	Distributor and Coil Assy.	1	9N	39-40
9N-12024	3.50	Ignition Coil Assy.	1	9N	39-40
9N-12100	11.50	Distributor Assy. Less Coil	1	9N	39-40
9N-12106	2.25	Housing Assy. - Distributor Terminal	1	9N	39-40
9N-12112	1.25	Conduit - Spark Plug Wires	1	9N	39-40
91A-12114	.03	Gasket - Distributor Terminal Housing	1	9N	39-40
9N-12137	.03	Bail - Distributor Coil	1	9N	39-40
9N-12139	2.10	Distributor Base and Clamp Assy. ...	1	9N	39-40

* Not subject to regular discount.

■ ▲ See remarks on page 48

FORD TRACTOR PARTS PRICE LIST

Part No.	Price	Part Name	Unit	Remarks	Type	Year
DISTRIBUTOR AND COIL (CONT'D)						
91A-12140	\$.08	Gasket - Distributor Coil	1	9N	39-40
9N-12143	.02	Gasket - Distributor Base	1	9N	39-40
9N-12144	.02	Clamp - Distributor Terminal Housing	2	9N	39-40
9N-12145	.02	Rivet - Distributor Cap Clamp	2	9N	39-40
91A-12146	.03	Spring - Distributor Base	1	9N	39-40
48-12148	.02	Screw - Distributor to Front Cover .	2	9N	39-40
9N-12150	3.00	Breaker Assy. - Distributor	1	9N	39-40
91A-12159	.02	Screw (Primary)Contact)-Distributor.	1	9N	39-40
91A-12174	.02	Washer - Distributor Breaker Plate				
		Screw	1	9N	39-40
34803-S	.10-C	Washer (Lock)-Distributor Breaker				
	.01	Plate Bolt	1	9N	39-40
350101-S7-8	.02	Bolt - Distributor Breaker Plate ...	1	9N	39-40
9N-12187	3.50	Shaft Cam and Weights Assy.				
		Distributor	1	9N	39-40
91A-12200	.25	Rotor Assy. - Distributor	1	9N	39-40
B-12213	.01	Washer - Distributor Cam Screw	1	9N	39-40
9N-12281-A ☐	3.40	Conduit and Wiring Assy.	1	9N	39-40
9N-12281-B ◊	3.95	Conduit and Wiring Assy.	1	9N	39-40
9N-12281-C #	3.90	Conduit and Wiring Assy.	1	9N	39-40
9N-12281-D ⊗	3.90	Conduit and Wiring Assy. (Use				
		9N-13603 Wire to Indicator Lamp)	1	9N	39-40
9N-12283	.20	Wire (Cylinder No. 3)-Distributor				
		to Spark Plug	1	9N	39-40
9N-12284	.20	Wire (Cylinder No. 2)-Distributor				
		to Spark Plug	1	9N	39-40
9N-12286	.25	Wire (Cylinder No. 4)-Distributor				
		to Spark Plug	1	9N	39-40
9N-12287	.20	Wire (Cylinder No. 1)-Distributor				
		to Spark Plug	1	9N	39-40
91A-12300	.35	Condenser Assy.	1	9N	39-40
31032-S7	.01	Screw - Condenser to Distributor				
		Body	1	9N	39-40
34802-S7	.01	Washer (Lock)-Condenser to Distrib-				
		utor Body Screw	1	9N	39-40
52-12405	.65	Spark Plug Assy.	4	9N	39-40
52-12410	.01	Gasket - Spark Plug	4	9N	39-40

WIRING

(See Illustration on Page 34)

9N-13603 ⊗	Wire - Conduit to Indicator Lamp				
		(Use With 9N-12281-D)	1	9N	39-40
9N-14300-A ■	.40	Cable Assy. - Battery to Switch	1	9N	39-40
9N-14300-B ▲	.90	Cable Assy. - Battery to Switch	1	9N	39-40
9N-14301-	.50	Connector Assy. - Battery to Ground.	1	9N	39-40
23017-S16	.02	Bolt (Hex Head)-Battery Connection				
		5/16-18 x 1-1/4	2	9N	39-40
33797-S16	.01	Nut (Hex)-Battery Connection 5/16-				
		18	2	9N	39-40
9N-14431-A ■	.80	Cable Assy. - Starter Switch to				
		Starter	1	9N	39-40
9N-14431-B ▲	.50	Cable Assy. - Starter Switch to				
		Starter	1	9N	39-40
9N-14564	.06	Bracket - Spark Plug Wire	1	9N	39-40

* Not subject to regular discount.

☐ ◊ # ⊗ ■ ▲ See remarks on pages 47-48

FORD TRACTOR PARTS PRICE LIST



Part No.	Price	Part Name	Unit	Remarks	Type	Year
FENDER						
9N-16312	\$ 7.25	Fender Assy.	2	9N	39-40
21191-S7-8	.20	Bolt (Hex Head)-Fender Bracket to Rear Axle Housing 5/8 - 18 x 5.312	4	9N	39-40
33806-S7-8	.05	Nut (Hex)-Rear Fender Bracket to Rear Axle 5/8	4	9N	39-40
351505-S7- 8-18	.01	Washer (Flat)-Fender to Rear Axle Housing 5/8	4	9N	39-40

HOOD ASSEMBLY

(See Illustration on Page 29)

9N-16600	.30	Ornament - Hood	1	9N	39-40
33795-S8	.01	Nut (Hex)-Name Plate to Hood Top 1/4-20	1	9N	39-40
350835-S8	.01	Nut (Speed)-Name Plate to Hood Top .	1	9N	39-40
9N-16612-B ‡	28.25	Top Assy. - Hood (Painted)	1	9N	39-40
9N-16612-C @	26.50	Top Assy. - Hood (Painted)	1	9N	39-40
350472-S8	.01	Bolt (Special Carriage)-Instrument Panel to Hood Top 5/16-24 x 5/8.	4	9N	39-40
9N-16618	1.30	Panel Assy. (Side)-Hood R.H.	1	9N	39-40
9N-16619	1.30	Panel Assy. (Side)-Hood L.H.	1	9N	39-40
20318-S8	.01	Bolt (Hex Head)-Hood Side to Support 5/16-18 x 9/16	4	9N	39-40
34806-S8	.25-C	Washer (Lock)-Hood Side to Support				
	.01	Bolt 5/16	4	9N	39-40
20327-S8	.01	Bolt (Hex Head)-Hood Top to Hood Side 5/16-24 x 5/8	4	9N	39-40
33798-S8	.01	Nut (Hex)-Hood Top to Hood Side Bolt 5/16-24	4	9N	39-40
34806-S8	.25-C	Washer (Lock)-Hood Top to Hood Side				
	.01	Bolt 5/16	4	9N	39-40
20310-S8	.01	Bolt (Hex Head)-Hood Side to Support Lower Bracket 5/16-18 x 1/2	2	9N	39-40
34806-S8	.25-C	Washer (Lock)-Hood Side to Support				
	.01	Lower Bracket Bolt 5/16	2	9N	39-40
33797-S8	.01	Nut (Hex)-Hood Side to Support Lower Bracket Bolt 5/16-18	2	9N	39-40
9N-16625 @	.50	Stud and Handle - Hood Top Battery .	1	9N	39-40
33795-S8 @	.01	Nut (Hex)-Hood Top Battery Cover Handle Stud 1/4-20	1	9N	39-40
34805-S8 @	.50-C	Washer (Lock)-Hood Top Battery Cover				
	.01	Handle Stud 1/4	1	9N	39-40
9N-16651 @	.10	Retainer - Hood Top Battery Cover Hinge	1	9N	39-40
63333-S @	.01	Rivet (Oval Head)-Hood Top Battery Cover Hinge Retainer to Hinge 1/8 x 13/32	2	9N	39-40
9N-16656 @	.45	Tongue - Hood Top Battery Cover	1	9N	39-40
9N-16689 @	.25	Hinge - Hood Top Battery Cover	1	9N	39-40
60894-S8 @	.01	Rivet (Oval Head)-Hood Top Battery Cover to Hinge 3/16 x 5/16	4	9N	39-40
9N-16938-B ‡	1.20	Cover Assy. - Hood Top Battery	1	9N	39-40
9N-16938-C @	.50	Cover Assy. - Hood Top Battery	1	9N	39-40
9N-16942-C @	.35	Cover - Hood Top Battery	1	9N	39-40
9N-16948-B ‡	.02	Spring - Battery Opening Cover	4	9N	39-40
60882-S ‡	.01	Rivet - Battery Cover Spring 3/16 x 3/16	8	9N	39-40

* Not subject to regular discount.

‡ @ See remarks on page 48

FORD TRACTOR PARTS PRICE LIST

Part No.	Price	Part Name	Unit	Remarks	Type	Year
TOOL BOX AND TOOLS						
9N-17005	\$ 1.85	Tool Box Assy.	1	9N	39-40
21440-S7-8	.02	Bolt (Hex Head)-Tool Box to Upper Housing 7/16 - 14 x .75	2	9N	39-40
351436-S7-8	.01	Washer (Lock)-Tool Box 7/16	2	9N	39-40
9N-17014	.65	Wrench (Open End-Hex)-11/16 x 1-1/16 Opening	1	9N	39-40
B-17015	.15	Wrench (Open End-Hex)-7/16 x 1/2 ...	1	9N	39-40
B-17016	.20	Wrench (Open End-Hex)-9/16 x 5/8 ...	1	9N	39-40
01A-17017	.45	Wrench - Spark Plug and Cylinder Head Nut	1	9N	39-40
B-17020	.20	Screw Driver	1	9N	39-40
B-17021	.55	Wrench - Monkey	1	9N	39-40
B-17025-A	.30	Pliers Assy.	1	9N	39-40
9N-17040	.50	Crank - Starting	1	9N	39-40
9N-17049	7.75	Cover - Tractor	1	9N	39-40
9N-17052	4.25	Tire Pump	1	9N	39-40
9N-17078	3.25	Jack and Handle Assy.	1	9N	39-40
9N-17080	2.95	Jack	1	9N	39-40
9N-17081	.30	Handle - Jack	1	9N	39-40
9N-17125-A	1.00	Grease Gun	1	9N	39-40

GOVERNOR

(See Illustration on Page 30)

9N-18200-B	16.25	Governor Assy.	1	9N	39-40
20488-S	.02	Bolt (Hex Head)-Governor to Side Cover 3/8-16 x 1-5/8	1	9N	39-40
88032-S	.03	Stud (Screw)-Governor to Side Cover 3/8	1	9N	39-40
33800-S	.01	Nut (Hex)-Governor to Side Cover 3/8-24	1	9N	39-40
34807-S	.20-C	Washer (Lock)-Governor to Side Cover 3/8	2	9N	39-40
9N-18185	3.70	Body Assy. - Governor	1	9N	39-40
9N-18186	2.00	Lower Race Assy. - Governor	1	9N	39-40
9N-18187	2.25	Drive Shaft Assy. - Governor	1	9N	39-40
9N-18188	.45	Upper Race Assy. - Governor	1	9N	39-40
9N-18189	1.35	Lever Assy. - Governor	1	9N	39-40
9N-18190	.90	Manuel Lever Assy. - Governor	1	9N	39-40
22612-S8	.05	Screw - Adjusting	1	9N	39-40
33921-S8	.01	Nut - Adjusting Screw 1/4-28	1	9N	39-40
34825-S8	.01	Washer (Lock)-Adjusting Screw	1	9N	39-40
9N-18191	.80	Base - Governor	1	9N	39-40
9N-18192	.25	Bearing (Thrust)-Governor Base	1	9N	39-40
9N-18194	.25	Base (Fork)-Governor	1	9N	39-40
9N-18195	.02	Clip - Governor Shaft	1	9N	39-40
9N-18196	.25	Spring - Governor Base	1	9N	39-40
9N-18241	.01	Shim - Ball Stop	As Req.	9N	39-40
355027-S	.01	Screw - Governor Body No. 6-32	2	9N	39-40
356430-S	.02	Washer - Ball Stop	1	9N	39-40
358081-S	.20	Ball - Governor Base 5/8"	4	9N	39-40

OIL FILTER

(See Illustration on Page 30)

9N-18658	2.10	Oil Filter Assy.	1	9N	39-40
21440-S7-8	.02	Bolt (Hex Head)-Oil Filter to Upper Housing 7/16 - 14 x .75	2	9N	39-40

* Not subject to regular discount.

FORD TRACTOR PARTS PRICE LIST



Part No.	Price	Part Name	Unit	Remarks	Type	Year
OIL FILTER (CONT'D)						
351436-S7-8	\$.01	Washer (Lock)-Oil Filter 7/16	2	9N	39-40
9N-18662	1.00	Element - Oil Filter	1	9N	39-40
9N-18666	.25	Tube - Oil Filter Outlet	1	9N	39-40
9N-18667	.20	Tube - Oil Filter Inlet	1	9N	39-40
91A-2133	.03	Nut - Oil Filter Inlet Tube	2	9N	39-40
9N-18668	.15	Elbow - Oil Filter and Gauge to Block	1	9N	39-40
01A-18675	.12	Washer - Cover Hold Down Bolt	1	9N	39-40
9N-18676	.25	Tube - Oil Pressure Gauge	1	9N	39-40
9N-18679	.05	Adapter - Oil Filter Tube	3	9N	39-40
9N-18685	.05	Adapter - Oil Gauge Tube	1	9N	39-40
9N-18686	.08	Elbow - Oil Filter	1	9N	39-40
9N-18687	1.55	Cover - Oil Filter	1	9N	39-40
9N-18688	.15	Gasket - Oil Filter Cover	1	9N	39-40
01A-18689	Spring and Washer (Hold Down)- Element	1	9N	39-40
01A-18691-A	.30	Bolt - Oil Filter Cover	1	9N	39-40

HEAD LAMP

9N-11653	3.10	Switch (Light)	1	9N	39-40
9N-13002	3.95	Head Lamp Assy. R.H.	1	9N	39-40
9N-13003	3.95	Head Lamp Assy. L.H.	1	9N	39-40
356803-S7-8	Nut (Hex)-Head Lamp Assy. 1/2-20 ...	2	9N	39-40
34809-S7-8	.60-C .01	Washer (Lock)-Head Lamp Assy. 1/2 ..	2	9N	39-40
9N-13007	.27	Bulb (32 C.P. 6-8 Volt)-Head Lamp ..	2	9N	39-40
9N-13045	.75	Door - Head Lamp Assy.	2	9N	39-40
9N-13060	.65	Lens - Head Lamp	2	9N	39-40
9N-13102	.25	Reinforcement - Medallion	2	9N	39-40
9N-13404	.50	Lamp and Bracket Assy. - Rear	1	9N	39-40
33792-S4	.02	Nut (Hex)-Tail Lamp Bracket 7/16-20.	1	9N	39-40
34808-S4	.45-C .01	Washer (Lock)-Tail Lamp Bracket 7/16	1	9N	39-40
9N-13448	.35	Door - Rear Lamp	1	9N	39-40
9N-13450	.30	Red Lens - Rear Lamp	1	9N	39-40
B-13466	** .07	Bulb (6 Volt 3 C.P.)-Indicator Lamp.	1	9N	39-40
9N-13468	.55	Bracket - Tail Lamp Support	1	9N	39-40
9N-13470	.30	Bracket - Fender Lamp R.H.	1	9N	39-40
9N-13471	.30	Bracket - Fender Lamp L.H.	1	9N	39-40
9N-13472	.55	Bracket - Lamp Mounting R.H.	1	9N	39-40
9N-13473	.55	Bracket - Lamp Mounting L.H.	1	9N	39-40

ACCESSORIES

9N-1170-A	*97.50	Extra Rear Wheel and Tire (Set) 8 x 32	1	9N	39-40
9N-1170-B	*145.00	Extra Rear Wheel and Tire (Set) 10 x 28	1	9N	39-40
	2.25	Paint - Tractor Gray (1/2 Gal.)	9N	39-40
M-2888	3.65	Paint - Tractor Gray (1 Gal.)	9N	39-40
	17.50	Paint - Tractor Gray (5 Gal.)	9N	39-40
9N-17049	7.75	Cover - Tractor	1	9N	39-40
9N-18438	14.50	Kit - Lighting	1	9N	39-40

* Not subject to regular discount.

** See bulletin for discount

STANDARD PARTS

Part No.	List Net	Part Name	Part No.	List Net	Part Name
20309-S	\$.01	1/4-28 x 1/2 Hex Head Bolt	20886-S	\$.03	7/16-20 x 3.32 Hex Head Bolt
20310-S2	.01	5/16-18 x 1/2 Hex Head Bolt	20887-S-7-8	.05	7/16-20 x 3.00 Hex Head Bolt
20311-S8	.80-C	5/16-24 x 1/2 Hex Head Bolt	20888-S	.06	7/16-20 x 4.50 Hex Head Bolt
20318-S7	.01	5/16-18 x 9/16 Hex Head Bolt	20889-S	.05	7/16-20 x 5.00 Hex Head Bolt
20325-S7	.01	1/4-28 x 5/8 Hex Head Bolt	21175-S7-8	.18	5/8-18 x 2 N.F. Hex Bolt
20327-S8	.01	5/16-24 x 5/8 Hex Head Bolt	21178-S-7-8	.10	5/8-18 x 2.06 Hex Head Bolt
20346-S2	.85-C	5/16-18 x 3/4 Hex Head Bolt	21182-S-7-8	.20	5/8-18 x 2.875 Hex Head Bolt
20346-S7-8	.01	5/16-18 x 3/4 Hex Head Bolt	21191-S-7-8	.20	5/8-18 x 5.312 Hex Head Bolt
20347-S8	.01	5/16-24 x 3/4 Hex Head Bolt	21440-S-7-8	.02	7/16-14 x .75 Hex Head Bolt
20348-S	.02	3/8 x 3/4 Hex Head Bolt	21441-S-7-8	.02	7/16-14 x 1.128 Hex Head Bolt
20366-S	.01	5/16-18 x 7/8 Hex Head Bolt	21442-S-7-8	.03	7/16-14 x 1.375 Hex Head Bolt
20386-S2	.01	5/16-18 x 1 Hex Head Bolt	21443-S-7-8	.02	7/16-14 x .94 Hex Head Bolt
20388-S	.02	3/8-16 x 1 Hex Head Bolt	21444-S-7-8	.03	7/16-14 x 1.38 Hex Head Bolt
20388-S2	.02	3/8-16 x 1 Hex Head Bolt	21445-S-7-8	.03	7/16-14 x 1.62 Hex Head Bolt
20396-S	.01	5/16-18 x 1-1/16 Hex Head Bolt	21446-S-7-8	.03	7/16-14 x 2.5 Hex Head Bolt
20408-S	.02	3/8-16 x 1-1/8 Hex Head Bolt	21447-S-7-8	.03	7/16-14 x 1.5 Hex Head Bolt
20426-S7-8	.01	5/16-18 x 1-1/4 Hex Head Bolt	21449-S	.03	7/16-14 x 3.625 Hex Head Bolt
20428-S	.02	3/8-16 x 1-1/4 Hex Head Bolt	21477-S	.03	5/16-18 x 1-5/8 Hex Head Bolt
20488-S	.02	3/8-16 x 1-5/8 Hex Head Bolt	22228-S	.04	5/16-24 x 1-1/8 Hex Head Bolt - End Drilled
20559-S	.05	1/2-20 x 3-1/4 Hex Head Bolt	22267-S	.04	7/16-20 x 1-3/4 Hex Head Bolt - End Drilled
20672-S	.04	9/16-12 x 1-1/4 Hex Head Bolt	22503-S	.07	1/4-20 x 5/8 Hex Head Bolts - Drilled
20873-S-7-8	.08	7/16-20 x 1.06 Hex Head Bolt	22612-S8	.05	1/4-28 x 3/4 Hex Head Bolt - End Drilled
20874-S-7-8	.03	7/16-20 x .68 Hex Head Bolt	23017-S16	.02	5/16-18 x 1-1/4 Hex Head Bolt
20875-S	.02	7/16-20 x 1.00 Hex Head Bolt	24327-S-7-8	.01	5/16-24 x 5/8 Hex Head Bolt
20878-S-7-8	.03	7/16-20 x 1.25 Hex Head Bolt	25231-S-7-8	.01	No. 10-32 x 1/2 Flat Head Machine Screw
20880-S-7-8	.05	7/16-20 x 1.375 Hex Head Bolt	25881-S	.01	No. 8-32 x 5/8 Flat Head Screw
20881-S	.03	7/16-20 x 1.56 Hex Head Bolt			
20882-S-7-8	.04	7/16-20 x 2/25 Hex Head Bolt			

STANDARD PARTS



Part No.	List Net	Part Name	Part No.	List Net	Part Name
26456-S7-8	{ \$.01	6-32 x 1/4 Rnd. Hd.	33816-S	\$.03	7/16-20 Hex Nut
	.40-C	Screw	33817-S	.02	7/16-20 Slotted Nut
27153-S	{ .50-C	No. 10-32 x 1-1/8	33820-S7-8	.03	7/16-20 Hex Nut -
	.01	Rnd. Hd. Screw			Thin Castle
27161-S	.01	No. 10-32 x 1-1/4	33825-S	.02	5/16-18 Hex Nut
		R.H. Machine	33846-S	.02	1/2-20 Hex Nut
		Screw	33859-S	.06	5/8-18 Thin Castle
27711-S	.01	5/16-18 x 7/16 Rnd.			Nut
		Hd. Bolt Type "S"	33860-S	.05	5/8-18 Castle Nut
		Brass	33879-S7-8	.01	5/16-24 Hex Nut
31032-S7	.01	No. 8-32 x 1/4	33895-S	.02	1/4 Wing Nut
		Screw	33921-S8	.01	1/4-28 Check Nut
31036-S7-8	.01	No. 6-32 x 6/16	33923-S7	.01	5/16-24 Check Nut
		Fill Head Machine			Hex
		Screw	34029-S	.02	5/16-24 Hex Slotted
31077-S7-8	.01	8-32 x 5/8 N.C. - 2			Nut
		Fill Head Screw	34052-S7	{ .01	No. 8-32 Hex Nut
31583-S7-8	.01	10-32 x 1/4 Fill		.25-C	
		Head Screw	34079-S7-8	{ .30-C	No. 10-32 Hex Nut
31588-S7-8	.01	No. 10-32 x 5/16		.01	
		Fill Head Screw	34141-S	{ .20-C	No. 10-32 Square
31596-S	.01	No. 10-32 x 3/8		.01	Nut
		Fill Head Screw	34171-S7-8	.04	5/16-24 Blind Nut
31598-S	.01	1/4-28 x 3/8	34703-S7-8	{ .01	No. 10 Flat
		Fillster Head		.15-C	Washer
		Screw	34706-S8	.01	5/16 Flat Washer
33785-S	.01	3/8 x 16 Hex Nut -	34745-S	{ .20-C	1/4 Flat Washer
		Regular		.01	
33790-S7-8	.02	7/16-20 Hex Head Nut	34746-S	{ .01	5/16" Flat Washer
33791-S-18	.02	7/16-20 Regular Nut		.20-C	
33792-S-7-8	.02	7/16-20 Hex Nut	34802-S7	.01	No. 8 Lock Washer
33792-S7-8-18	.02	7/16-20 Hex Nut	34803-S	{ .01	No. 10 Lock Washer
		No. 2 Fit		.10-C	
33794-S7-8-18	.02	7/16-20 Hex Nut	34804-S	.01	No. 12 Washer
		Class 2 Medium Fit			(Lock)
33795-S2	.01	1/4-20 Hex Head Nut	34805-S	{ .20-C	1/4 Lock Washer
33795-S7-8	.01	1/4-20 Hex Nut		.01	
33796-S7	.01	1/4-28 Hex Nut	34805-S7-8	{ .01	1/4 Lock Washer
33797-S2	.01	5/16-18 Hex Nut		.50-C	
33797-S7	.01	5/16-18 Hex Nut -	34806-S	{ .01	5/16 Lock Washer
		Regular Steel		.10-C	
33797-S16	.01	5/16-18 Hex Nut	34806-S7-8	{ .01	5/16 Lock Washer
				.25-C	
33798-S	.01	5/16-24 Hex Nut	34807-S	{ .01	3/8 Lock Washer
33798-S2	.01	5/16-24 Hex Nut		.20-C	
33798-S7-8	.01	5/16-24 Hex Nut	34808-S	{ .01	7/16 Lock Washer
33799-S	.01	3/8-16 Hex Nut -		.45-C	
		Regular	34809-S	.01	1/2 Lock Washer -
33800-S	.01	3/8-24 Hex Nut	34810-S	.01	9/16 Lock Washer -
33800-S7-8	.01	3/8-24 Hex Nut			Std.
33803-S	.04	Hex Nut - Check	34811-S	.01	Washer
		5/8 N.F. 3	34822-S7	.01	No. 8 Lock Washer
33805-S7-8	.05	5/8-18 Nut - Regular	34823-S2	.01	No. 10 Lock Washer
33806-S7-8-18	.05	5/8 Hex Nut -	34825-S	.01	1/4 Lock Washer
		Regular	34842-S7	{ .01	No. 8 Lock Washer
33807-S7-8	.01	3/8 Lockwasher		.15C	
33807-S	.01	3/8 Lock Washer	34842-S7-8	.01	No. 8 Lock Washer
33808-S7-8	.05	5/8-18 Hex Nut -	34843-S2	.01	No. 10 Lock Washer
		Thick			- Heavy

STANDARD PARTS

Part No.	List Net	Part Name	Part No.	List Net	Part Name
34906-S	{ \$.25-C .01	5/16 Internal Tooth Washer - Str. to Lockwasher	72008-S	{ \$.50-M .10-C .02-X	1/16 x 5/8 Cotter Pin
34938-S7-8	.01	No. 8 External Tooth Washer	72009-S	{ .50-M .10-C .02-X	3/32 x 5/8 Cotter Pin
60006-S	{ .10-C .01	5/32 x 3/16 Flat Head Rivet	72010-S	{ .75-M .10-C .03-X	1/8 x 5/8 Cotter Pin
60030-S	{ .35-C .01	5/16 x 3/8 Solid Rivet - Flat Head	72017-S	{ .75-M .03-X .10-C	1/8 x 3/4 Cotter Pin
60319-S	{ .01 .10-C	3/16-- 5/16 R.H. Solid Rivet	72026-S	{ .10-C .75-M .10-C	1/8 x 7/8 Cotter Pin
60386-S	{ .20-C .01	1/4 x 5/8 R.H. Solid Rivet	72035-S	{ .03-X .10-C .75-M	1/8 x 1 Cotter Pin
60414-S	{ .01 .25-C	1/4 x 3/4 Round Head Rivet	72038-S	{ .03-X .10-C .75-M	7/32 x 1 Cotter Pin
60426-S	{ .01 .35-C	3/16 x 13/16 Solid Rivet - Round Head	72044-S	{ .30-X .01 .15-C	1/8 x 1-1/8 Cotter Pin
60442-S	{ .30-C .01	1/4 x 7/8 Round Head Rivet	72054-S	{ 1.00-M .04-X 1.50-M	5/32 x 1-1/4 Cotter Pin
60453-S	{ .25-C .01	3/16 x 15/16 Solid Rivets - Round Head	72080-S	{ .05-X .20-C 1.50-M	1/8 x 8-5/8 Cotter Pin
60542-S	{ .01 .45-C	1/4 x 1-1/2 Round Head Rivet	72091-S	{ .05-X .20-C 1.50-M	Cotter Pin 3/16 x 1-3/4
60882-S	.01	3/16 x 3/16 Round Head Rivet	73902-S	.01	Clevis Pin 3/8 x 1
60894-S7-8	.01	3/16 x 5/16 Oval Head Solid Rivet	73912-S7-8	.04	3/8 x 1-1/16 Clevis Pin - Hardened
60979-S	{ .20-C .01	3/16 x 3/4 Oval Head Rivet	73918-S	{ 1.35-C .02	5/16 x 1/18 Clevis Pins
61009-S	.01	3/8 x 7/8 Oval Head Rivet	73936-S7-8	.05	1/2 x 1-1/4 Clevis Pin Hardened
63301-S7-8	{ .40-C .01	1/8 x 9/32 Oval Hd. Tubular Rivet	73956-S	.03	3/8 x 1-7/16 Clevis Pin
63317-S7-8	{ .35-C .01	1/4 x 11/32 Oval Hd. Tubular Rivet	73984-S	.04	1/4 x 1-11/16 Clevis Pin After
63333-S	{ .45-C .01	1/8 x 13/32 Tubular Rivet - Oval Head	74034-S	.03	5/16 x 2-1/8 Clevis Pin
63825-S10	.01	1/8 x 3/8 Tubular Rivet Oval Head - Brass	74079-S7-8	.06	1/2 x 2-5/8 Clevis Pin - Hardened
63944-S10	.01	1/8 x 5/32 Oval Head Tubular Rivet	74106-S	.01	5/16 Expansion Plug
63968-S10	.01	1/8 x 1/4 Brass Tubular Rivets - Oval	74120-S	.01	1-3/16 Expansion Plug
72000-S	{ .01 .10-C	1/16 x 3/8 Cotter Pin	74121-S	.01	1-1/4 Expansion Plug - .078-.083
72003-S	{ .50-M .10-C .02-X	1/16 x 1/2 Cotter Pin	74127-S	.01	1-3/4 Expansion Plug
72004-S	{ .50-M .02-X .10-C	3/32 x 1/2 Cotter Pin	74129-S	.01	2" Expansion Plug
72005-S	{ .35-M .02-X .05-C	1/8 x 1/2 Cotter Pin	74142-S	.01	1/2 x 1/8 Woodruff Key
			74156-S	.04	Woodruff Key 1/4 x 1/8

STANDARD PARTS



Part No.	List Net	Part Name	Part No.	List Net	Part Name
74175-S	\$.01	No. 6 Woodruff Key	350830-S7-8	\$.02	No. 8-32 Round Nut
74186-S	.04	1/4 x 1-1/8 Wood-			- Steel
		ruff Key -	350835-S	.01	Nut - Speed
		Hardened	350860-S	.02	No. 10-32 Special
88032-S	.03	3/8 x 24-3/8 x 16			Hex Nut - Brass
		x 1-3/8 Screw	350923-S7-8	.03	Wing Nut - Special
		Stud	351025-S8	.03	7/16-20 Hex Nut
88059-S	.03	1/2-20 x 3/4 x 5/8	351059-S7	.03	1/2-20 Castle Nut
		Screw Stud	351080-S	.02	5902-20 Hex Nut
88113-S	.04	7/16-20-14 x 2-3/8	351118-S7-8	.05	13/16 Special Hex
		Screw Stud			Nut
88146-S	.03	5/16 x 24-5/16 x 18	351119-S	.03	13/16-28 Special
		x 2-13/16 Screw			Hex Nut
		Stud	351129-S	.07	3/4-16 Castle Nut
88371-S	.03	5/16-24 x 5/16-18 x	351177-S	.01	.093/.095 x 3/16
		1-1/4 Screw Stud		.25-C	Plain Washer
88398-S	.04	7/16-20-14-1-9/16	351178-S	.01	.109/.111 x .183/
		Screw Stud			.187 Spring
88403-S	.04	7/16-20-14 x 1-5/8			Washer
		Screw Stud	351187-S	.01	.25 Dia. x 128/.130
89409-S	.01	5/16-24 x 1/3 Head-			Hole x .019/.021
		less Round Point			Washer
		Set Screw	351192-S	.01	140/.145 x .25 Flat
88523-S	.04	7/16-20-14-3-1/8			Washer
		Screw Stud	351253-S7-8	.01	3/16 Flat Washer
92032-S-19	.01	No. 4 x 3/16 Drive	351260-S	.01	Flat Washer .187/
		Screw			.189 x .310/.315
97003-S	.15	3/8 Clevis - Non-	351406-S	.70-C	13/32 I.D. x 1/50
		Adjustable		.01	O.D. Special
97013-S	.15	3/8-24 Clevis -			Washer
		Adjustable	351428-S7-8	.01	7/16 Special Plain
350101-S7-8	.02	Bolt No. 10-32			Washer
350164-S7-8	.02	Throttle Adjusting	351436-S8	.01	Lock Washer 7/16
		Screw No. 10-32	351443-S7-8	.02	7/16 Special Washer
350379-S-7	Bolt - Carriage	351436-S7-8	.01	7/16 Special Lock
350433-S	.01	5/16-18 x 1 Special			Washer
		Hex Head Screw	351505-S	.01	5/8 (5/32 x 1-1/4)
		Clutch To Fly-			Flat Washer
		wheel	351505-S7-8-18	.01	5/8 (5/32 x 1-1/4)
350439-S	.02	5/16-24 x 9/16 Thin			Flat Washer
		Hex Head Bolt	351544-S	.03	815-.820 Special
350472-S2	.01	5/16-24 x 5/8			Lock Washer
		Special Carriage	351850-S7-8	.05	.087/.088 x 21/32
		Bolt			Rivet.
350610-S	.05	7/16-20 x .88	351924-S	.02	5/32 x .5 Special
		Special Hex Head			Button Head Rivet
		Bolt	351926-S	.30-C	5/32 x 3/16 Flat
350617-S7	.03	Carriage Bolt -		.01	Head Countersunk
		Special 7/16-20			Rivet
350635-S7-8	.10	Bolt - Front Axle	351963-S	.35-C	3/16 x .94 Special
		Pin Hex Head		.01	Oval Countersunk
350645-S	.05	7/16-20 x .84 Hex			Head Rivet
		Head Bolt	351966-S	.01	3/16 x 3/8 Special
350719-S7-8	.05	5/8-18 Round Head		.15-C	Flat Head Rivet
		Bolt	351978-S	.01	Special Flat Head
					Tubular Rivet
350738-S	.10	Bolt			Pin - For Battery
350745-S	.10	5/8 Bolt - Carriage	352002-S	.01	Strap
350830-S6	.02	No. 8-32 Round Nut			1/4 x .62 Special
		- Brass	352035-S	.03	Button Head Rivet

STANDARD PARTS

Part No.	List Net	Part Name	Part No.	List Net	Part Name
352130-S	\$.01	.333/.388 x .48 Special Rivet	353043-A2-S7-S8	\$.03	1/4-28 Lubricator Fitting Small
352150-S	.03	7/16 - 1-1/2 Round Head Rivet	353052-S5	.02	1/8 x 3/8 Pipe Plug Slotted
352200-S	{ .25-C .01	.043 x .047 x 3/8 Cotter Pin	353064-S	.03	1/2 Pipe Plug - Extended Head
352201-S	{ .15-C .04-X	3/64 x .031 Cotter Pin	353075-S	.01	3/8 Dia. Steel Ball
352250-S	.03-X	Cotter Pin - Special	353076-S	.01	1/4 Steel Ball
352472-S7-8	.01	.120/.130 Pin For Brake Shaft	355000-S	.05	No. 4-36 x 1/4 Screw
352581-S7-8	.01	5/16 x 1-1/2 Special Flat Head Pin	355025-S7-8	.01	No. 6-32 x 1/4 Screw
352592-S	.04	1/4 x 3/8 Clevis Pin	355027-S	.01	No. 6-32 Screw
352625-S7-8	.15	3.38 x .75 Clevis Pin	355245-S	.05	No. 12-24 x 5/8 Screw
353027-A2-S7-8	.05	1/8 Lub. Fitting	355940-S7-8	.05	1/4-20 Special Wing Nut
353034-A1-S7-8	.09	1/4-28 Lubrication Fitting - Straight - Long	356051-S	.10	Manifold Cover Stud Nut
			356181-S	.05	.115 Lock Washer
			356211-S	.05	No. 22-3/8 Flat Washer
			356430-S	.02	Washer
			356803-S7-8	1/2-20 Hex Nut
			358081-S	.20	5/8 Ball

SYMBOLS



§ For service on all tractors.

9N-4012 and 9N-4013 used on tractors No. 1 to No. 1591.

EXCEPT

1528	1537	1546	1551	1556	1564	1567
1529	1544	1549	1554	1561	1566	1570
1531						

1604 equipped with cast iron housings.

9N-4012-A and 9N-4013-A used on tractors after No. 1591 to No. 6019.

EXCEPT 1604, 3813, 5408.

Also used on

6138	6338	6382	6457	6525	6572	6617
6202	6339	6386	6483	6547	6574	6632
6251	6346	6400	6515	6548	6590	6642
6260	6347	6447	6522	6561	6610	6646
6335	6367	6454				

9N-4012-B and 9N-4013-B used on all tractors after No. 6018.

EXCEPT

6138	6338	6382	6457	6525	6572	6617
6202	6339	6386	6483	6547	6574	6632
6251	6346	6400	6515	6548	6590	6642
6260	6347	6447	6522	6561	6610	6646
6335	6367					

NOTE

When servicing 4012, 4013, 4012-A and 4013-A ORDER

9N-4012-B Housing	9N-523-B Gasket
9N-4013-B Housing	9N-562-B Plate

Also used on

12501	12512	12532	12556	12611	12627
12503	12518	12535	12559	12615	12633
12504	12521	12537	12573	12617	12635
12506	12525	12538	12574	12619	12638
12508	12526	12542	12603	to	12644
12509	12527	12546	12610	12624	12853
12511	12530	12549		12626	

Used on all tractors from No. 12499 to No. 15002..

Also on tractor numbers

15198	15698	15751	15815	15851	16083
15202	15699	15755	15822	to	16155
15207	15710	to	15824	15859	16157
15280	15714	15758	15826	15861	16159
15290	to	15761	15827	15862	16165
15292	15717	15763	15829	15864	16169
15306	15723	15779	15831	15865	16179
15307	15724	15780	15841	15867	16187
15319	15728	15785	15842	to	16332
15397	15729	15801	15844	15869	16873
to	15736	15802	to	15871	to
15462	to	15804	15846	15879	16879
15464	15739	15807	15848	15885	16881
to	15746	15809	15849	16017	to
15622	15748	15810		16019	16950
15626					16953

⊙ Used on all tractors after No. 15001.

EXCEPT

15198	15698	15755	15815	15851	16083
15202	15699	to	15822	to	16155
15207	15710	15758	15824	15859	16157
15280	15714	15761	15826	15861	16165
15290	to	15763	15827	15862	16169
15292	15717	15779	15829	15864	16179
15306	15723	15780	15831	15865	16187
15307	15724	15785	15841	15867	16332
15319	15728	15801	15842	to	16873
15397	15729	15802	15844	15869	to
to	15736	15804	to	15871	16879
15462	to	15807	15846	15879	16881
15464	15739	15809	15848	15885	to
to	15746	15810	15849	16017	16950
15622	15748			16019	16953
15626	15751				

Y 9N-523-A Gasket } Used on all housings except
9N-562-A Plate } 4012-B and 4013-B

L 9N-523-B Gasket } Used with 4012-B and 4013-B Housings.
9N-562-B Plate }

● Used on all tractors.

NOTE: On tractors No. 1 to 2499 and those listed herein

2532	2566	2614	2643	2725	2780	2795
2535	2576	2630	2652	2754	2784	2800
2543	2589	2635	2654	2765	2785	3059
2548	2591	2636	2664	2777	2794	3150
2557	2596					

order the following:

1-	9N-9002-A	Gas Tank
1-	9N-9126	Adapter, tank to tank support
2-	20386-S2	Bolt
2-	350379-S7	Carriage Bolt
2-	33797-S2	Nut
2-	33798-S7	Nut
4-	34806-S	Lock Washer
4-	34706-S	Flat Washer

⊖ Used on first 4000 tractors.

∅ Used after first 4000 tractors to No. 12500.

EXCEPT

10732	11470	12157	12400	12490	12497
11148	11497	12168	12484	12492	12499
11400	12142				

★ Used on all tractors after No. 5677 EXCEPT those listed below.

To service air cleaners on tractors before No. 5678 and numbers listed herein, order 9N-9600-C also 9N-18215-C, Pipe.

The oil cup and clamp are interchangeable with 9N-9658-C1, oil cup, and 9N-9628-C1, clamp assembly.

Tractors to No. 5678 and numbers

5711	6226	6396	6507	6555	7304	7429
6162	6240	6407	to	to	7311	7430
6163	6249	6440	6520	6565	7313	7434
6166	6257	6446	6523	6818	7390	7438
6188	6261	6455	6525	6991	7392	7439
6193	6268	6458	6530	7154	7412	7440
6202	6271	6482	6531	7182	7415	7459
6204	6275	6487	6533	7259	7418	7460
6207	6337	6490	6537	7277	7419	7468
6211	6338	6491	6539	7290	7423	7471
6221	6339	6500	6541	7291	7425	7524
to	6381		to	7293	7426	7571
6224	6386		6552	7301		

SYMBOLS

■ Used on all tractors to No. 12500.

EXCEPT

10732	11470	12457	12400	12490	12497
11148	11497	12468	12484	12492	12499
11400	12142				

Also used on tractors

12501	12512	12532	12556	12611	12627
12503	12518	12535	12559	12615	12633
12504	12521	12537	12573	12617	12635
12506	12525	12538	12574	12619	12638
12508	12526	12542	12603	to	12644
12509	12527	12546	12610	12624	12853
12511	12530	12549	12626		

▲ Used on all tractors after No. 12499.

EXCEPT

12501	12512	12532	12556	12611	12627
12503	12518	12535	12559	12615	12633
12504	12521	12537	12573	12617	12635
12506	12525	12538	12574	12619	12638
12508	12526	12542	12603	to	12644
12509	12527	12546	12610	12624	12853
12511	12530	12549		12626	

Also used on tractors

10732	11470	12157	12400	12490	12497
11148	11497	12168	12484	12492	12499
11400	12142				

‡ Used on all tractors thru tractor No. 13883 EXCEPT casting hoods and the following tractor numbers.

10213	12585	12699	12807	13088	13186	13364	13512	13701
10732	to	12701	12809	13089	13188	to	13519	to
11148	12587	12703	to	13090	13188	13370	13520	13708
11400	12590	to	12811	13092	13190	13372	to	13710
11470	to	12707	12815	13094	13191	13373	13522	13711
11490	12593	12708	to	13096	13193	13375	13527	13713
12142	12595	12711	12817	13098	to	to	13531	to
12157	12598	12712	12819	13099	13218	13386	13534	13715
12168	to	12714	12820	13099	13220	to	13535	13717
12360	12600	to	12824	to	to	13388	13546	13718
12392	12602	12716	to	13102	13224	to	13548	13720
12484	to	12718	12828	13107	13226	13391	to	13722
12492	12605	to	12831	13109	to	13393	13550	13724
12497	12608	12722	to	13111	13229	to	13554	to
12499	12609	12724	12833	to	13233	13397	13555	13741
12500	12613	12726	12839	13113	to	13399	13560	13743
12502	12614	to	12843	13115	13249	to	to	13753
12505	12616	12728	to	13117	13251	13403	13566	13755
12510	12618	12730	12848	13119	to	13405	13569	to
12517	12625	12731	12851	13121	13260	13406	13570	13761
12519	12628	12733	12852	to	13262	13410	13574	13764
12520	12630	12735	12854	13126	to	13412	to	13766
12522	to	12737	12923	13129	13273	13414	13578	13768
12523	12632	to	12945	to	13275	to	13580	13769
12528	12634	12739	12948	13131	to	13416	to	13770
12531	to	12743	12967	13133	13296	13417	13596	to
12534	12636	to	12970	13134	13298	13419	13598	13772
12536	12637	12757	12972	13136	13299	13420	13600	13774
12539	12639	12759	12979	to	13300	to	13602	13776
12540	to	to	12985	13138	13301	13423	to	13777
12544	12643	12761	12985	13140	13303	to	13620	13779
12545	12645	12763	13004	to	to	13425	13622	13781
12552	to	12765	13038	13142	13310	to	to	to
12553	12653	12767	13045	13144	13312	13430	13624	13785
12554	12656	to	13047	13146	to	to	13626	13787
12555	12658	12769	13048	13147	13318	13432	to	13789
12557	to	12771	13050	13149	13322	13463	13629	13791
12560	12665	12773	13053	to	13323	13465	13631	13793
12562	12667	to	13054	13152	13325	13466	to	13796
12563	12668	12779	13061	13154	to	13469	13639	13803
12565	12671	12781	13062	13156	13332	13470	to	13805
to	12673	12784	13063	13157	13334	13472	13641	13806
12572	to	12786	13064	13159	to	13477	13643	13809
12575	12675	to	13066	13161	13338	13482	to	13826
12576	12677	12789	13069	to	13340	13483	13669	13828
12579	to	to	13071	13170	13342	13487	13671	to
12581	12680	12793	13072	13172	to	13489	to	13837
12584	12682	12795	13077	to	13347	13490	13686	13839
	12686	12796	13084	13174	13349	13494	to	to
	12687	12798	to	13176	to	13495	13688	13883
	12692	12799	13087	13181	13356	13506	to	
	12693	12800		13184	13359	13508	13693	
	12695	to			13361	13509	to	
	12698	12804			13362			

@ Used on all tractors beginning with No. 13884 and on the tractor numbers appearing above.

WARRANTY

The Ford Motor Company warrants all such parts of new Ford tractors, **EXCEPT TIRES**, for a period of ninety (90) days from the date of original delivery to the purchaser of each new Ford tractor, as shall, under normal use and service, appear to it to have been defective in workmanship or material. This warranty shall be limited to shipment to the purchaser without charge except for transportation, of the part or parts intended to replace those acknowledged by the Ford Motor Company to be defective. The Ford Motor Company cannot, however, and does not accept any responsibility in connection with any of its tractors when they have been altered outside of its own factories or branch plants. If the purchaser shall use or allow to be used in the tractor, parts not made or supplied by the Ford Motor Company, then this warranty shall become void. The Ford Motor Company does not undertake responsibility to any purchaser of its products for any undertaking, representation or warranty made by anyone selling its products beyond those herein expressed.



The Ford Motor Company reserves the right to make changes in design and changes or improvements upon its products without imposing any obligation upon itself to install the same upon its products theretofore manufactured.

FORD MOTOR COMPANY



***"—Have it in the bin,
when the Farmer comes in."***